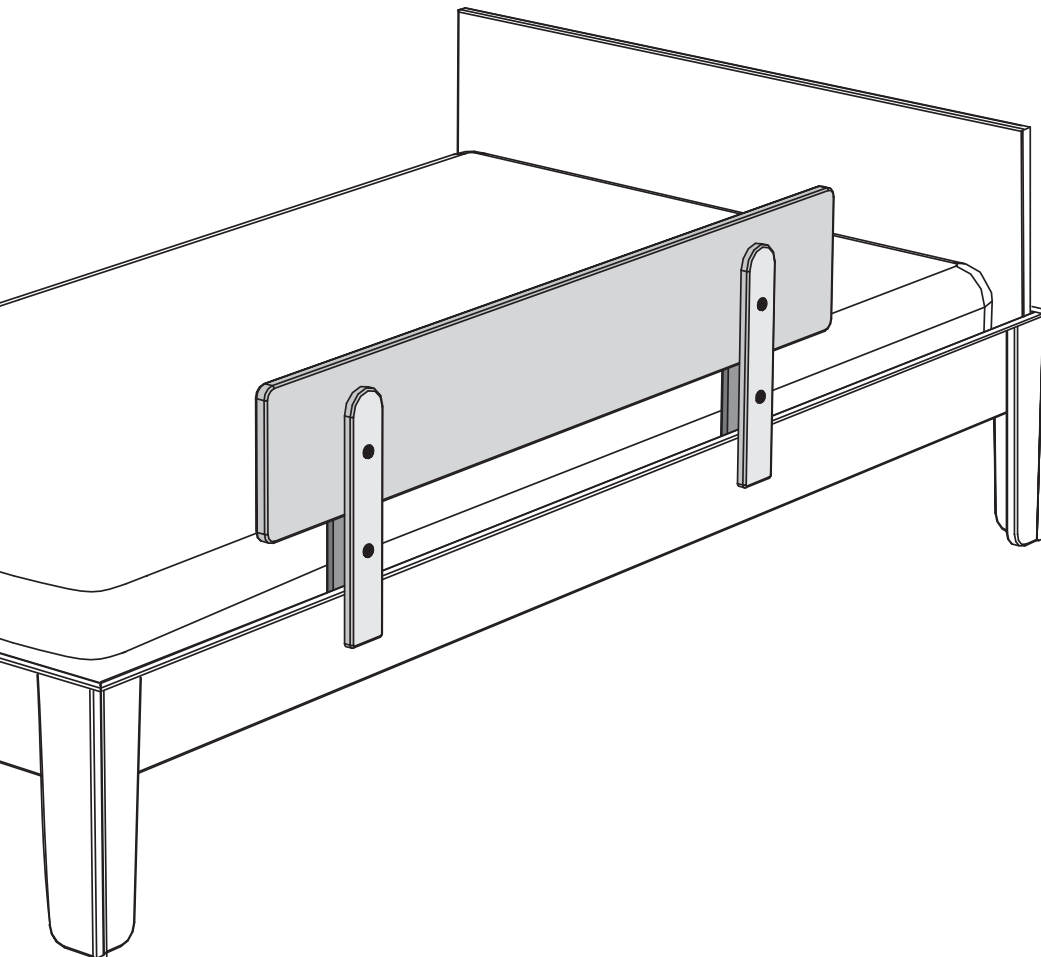




Security Bed Rail

Item # 1BR01



Made in Latvia for:

Oeuf LLC

119 8th Street, Suite 301

Brooklyn, NY 11215

USA

(800) 691-8810

www.oeufnyc.com

Oeuf GmbH

Amalienstr. 15

80333 München

GERMANY

49 (0)89 28 72 35 10

www.oeufeuropa.com

Distributed in Australia by:

Kido Agencies

Postal: PO Box 6039

Alexandria NSW 2015

Deliveries: 3/52 Buckley St.

Marrickville NSW 2204


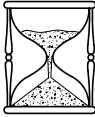
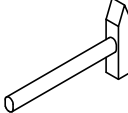
AUSTRALIA

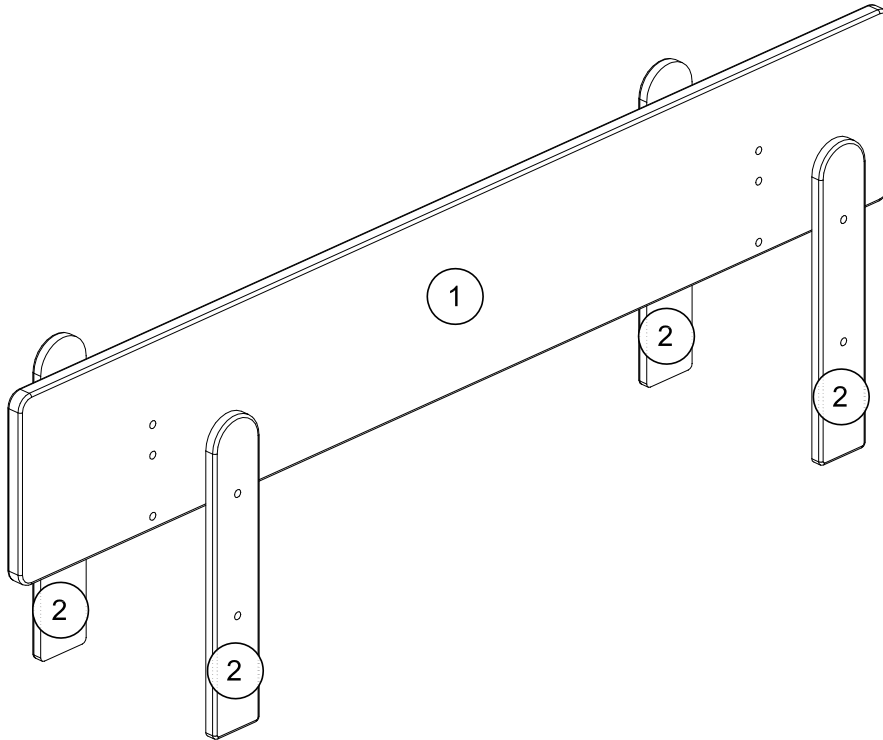
+61 2 9045 7799


info@kidoagencies.com

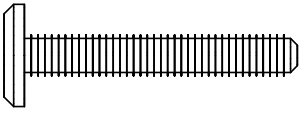
WARNING

- Suffocation and Strangulation Hazard.
- Death or Serious Injury Can Occur.
- Infants who cannot get in and out of an adult bed without help can be trapped between a mattress and a wall and suffocate. NEVER place infants in adult beds with or without a bed rail.
- **BED RAIL USE:** Bed rail can trap young children against mattress, headboard, or footboard.
- Use only for children who have outgrown a crib. NEVER use in place of crib.
- Use only with children who can get in and out of adult bed without help (3 years and up).
- ALWAYS keep bed rail pushed firmly against mattress and at least 9 in. from headboard and footboard.
- NEVER use on toddler bed, upper bunk bed, waterbed, or bed with inflatable mattress.
- Use only on **Oeuf Perch Bed** (lower bed only) with a standard TWIN SIZE mattress with a thickness not less than 6 in. (150 mm) and not greater than 8 in. (200 mm).
- DO NOT use a box spring mattress support when using this Security Rail.
- Discontinue use if damaged, broken or if parts are missing.

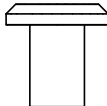
	 00:20 h		
---	--	---	--



A		Ø8x30	4 pcs
----------	---	-------	-------

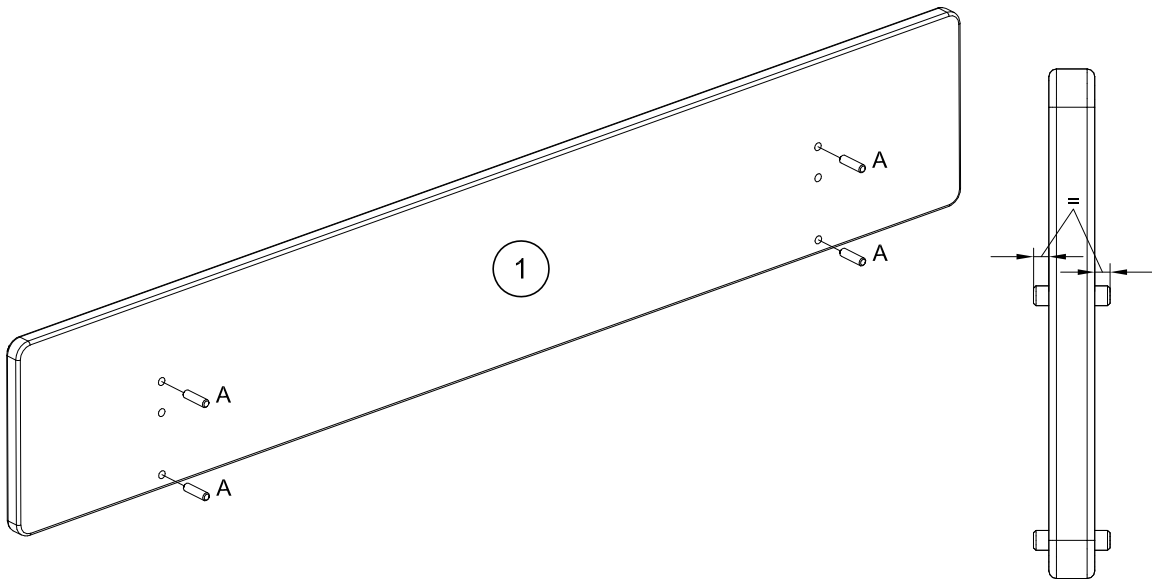
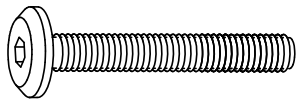
B		M6x40	4 pcs
----------	---	-------	-------

C			1 pcs
----------	---	--	-------

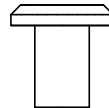
D		M6	4 pcs
----------	---	----	-------

B

Ø8x30

4
pcs**1****B**

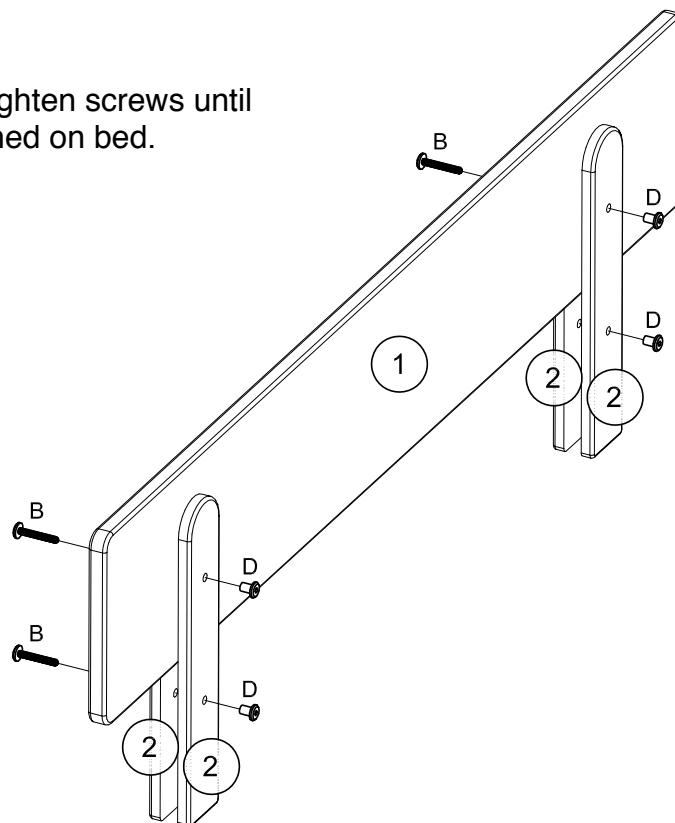
M6x60

4
pcs**D**

M6

4
pcs**2**

Do not fully tighten screws until rail is positioned on bed.



3

To help avoid strangulation, position rail at a minimum of 9 inches (23 cm) from vertical posts or legs.

