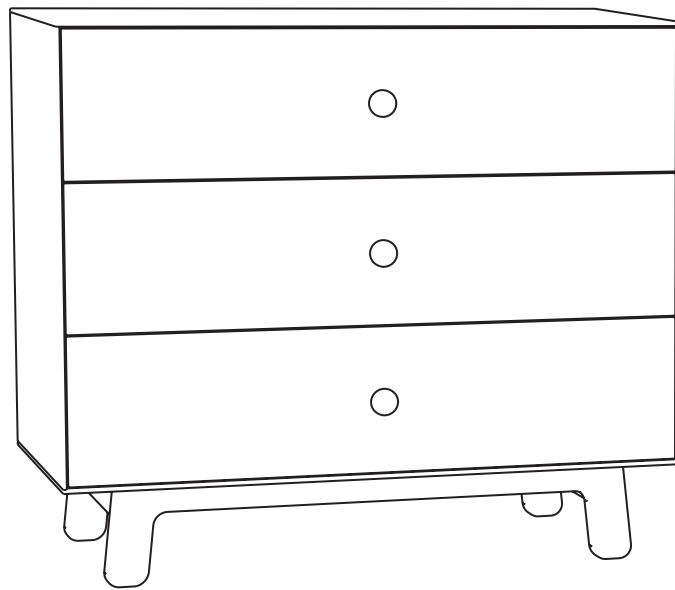


oeuf[®]

3-DRAWER DRESSER

ITEM # 1M3D



ek66017

Oeuf LLC 119 8th Street, Suite 301 | Brooklyn, NY 11215 | USA +1 (718) 965-1216 | www.oefnyc.com

Distributed internationally by:

Australia

Kido Agencies

Postal: PO Box 6039
Alexandria NSW 2015
Australia
Tel: +61 2 9045 7799
info@kidoagencies.com

Canada

Monte Distribution Inc.

270 Belfield Rd
Toronto, Ontario M9W 1H5
Canada
Tel: +1 866 604 6755
info@oeufcanada.com

Korea

J2 International Inc.

(주) 제이투인터내셔널
서울시 강남구 도산대로 506
재정빌딩 304호
Tel: +82 70 8247 7576

UK

Kids At Home Distribution

Newick Business Centre
Church Road
Newick, BN8 4NA
England
Tel: +01825 724160

EU

Suede Import

20 Bis Rue des Champs
92600 Asnières-sur-Sein
France
Tel: +33 (0)1 40 86 06 03
suedeimport@yahoo.fr

Turkey

Operaistanbul

Cengiz Topel Cad. Tugcular sok.
No:1 Kat 3 Etiler Istanbul
Turkey
Tel: +90 212 321 8132
info@operaisatnbul.com

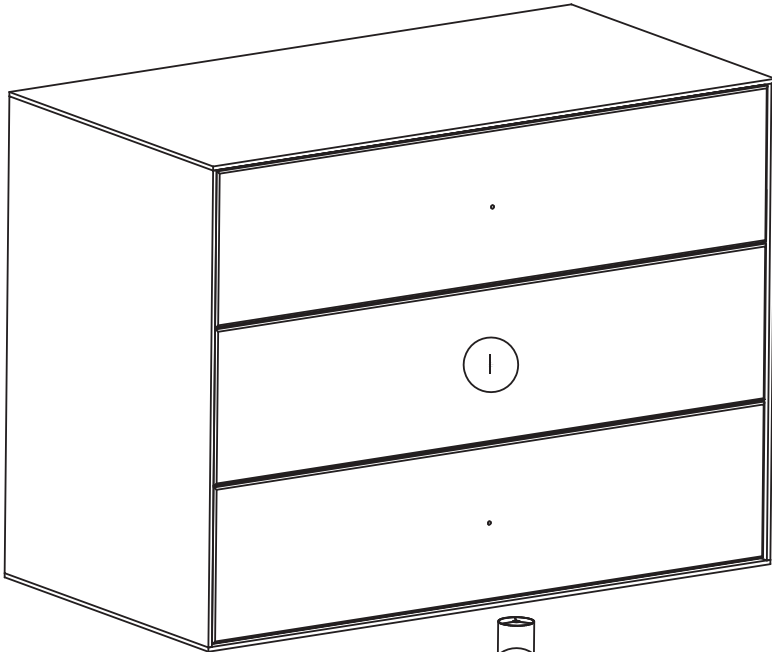
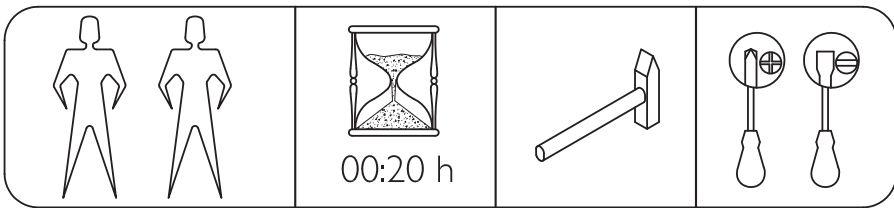
China

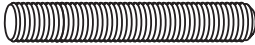
Arketype Limited

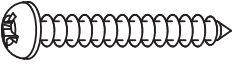
7F Metro Loft, 38 Kwai Hei St.
Kwai Chung, N.T.,
Hong Kong
+852 2110 9400
www.arketype.com

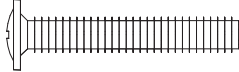
Made in Latvia

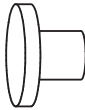
CLASSIC BASE

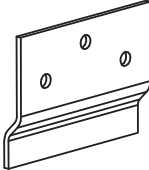



D		M8x50	4 pcs
---	-------------------------------------------------------------------------------------	-------	----------


B		Ø4,5x45	3 pcs
---	-------------------------------------------------------------------------------------	---------	----------

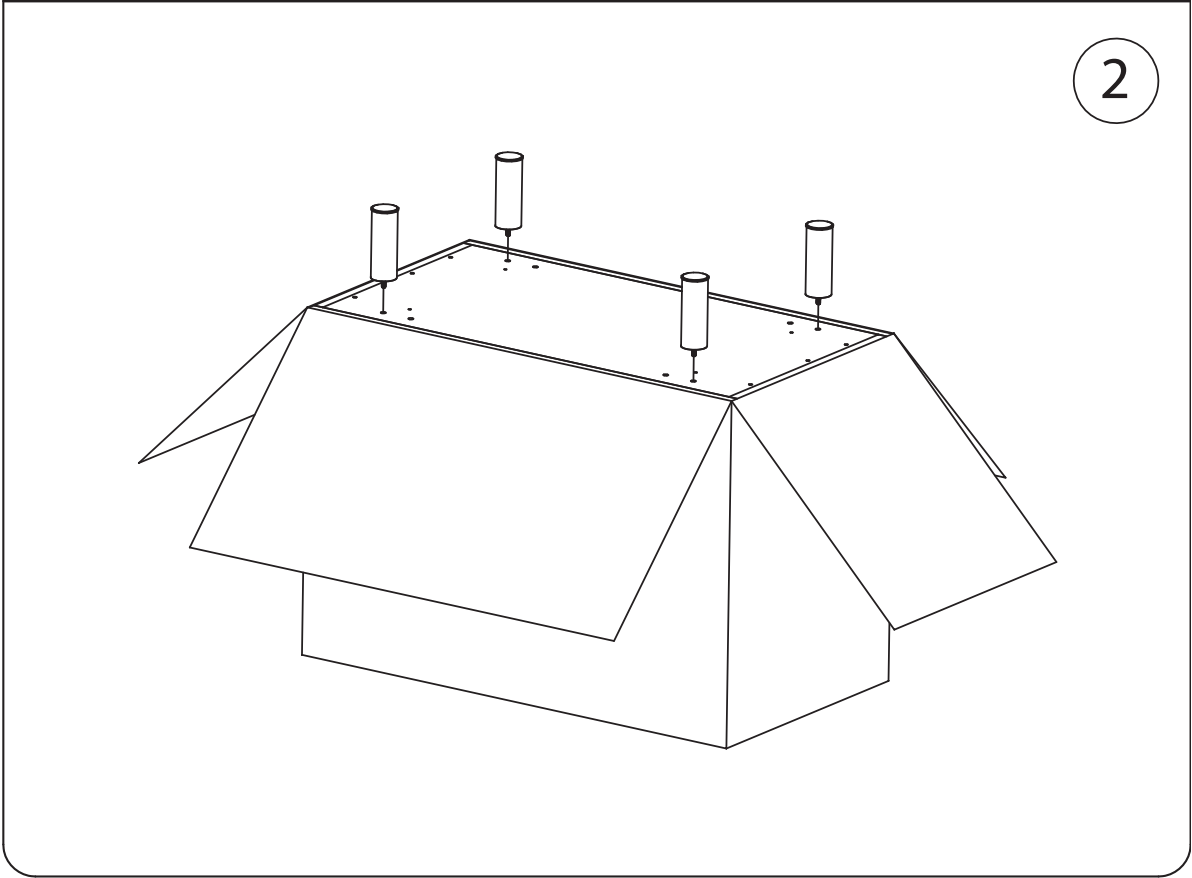
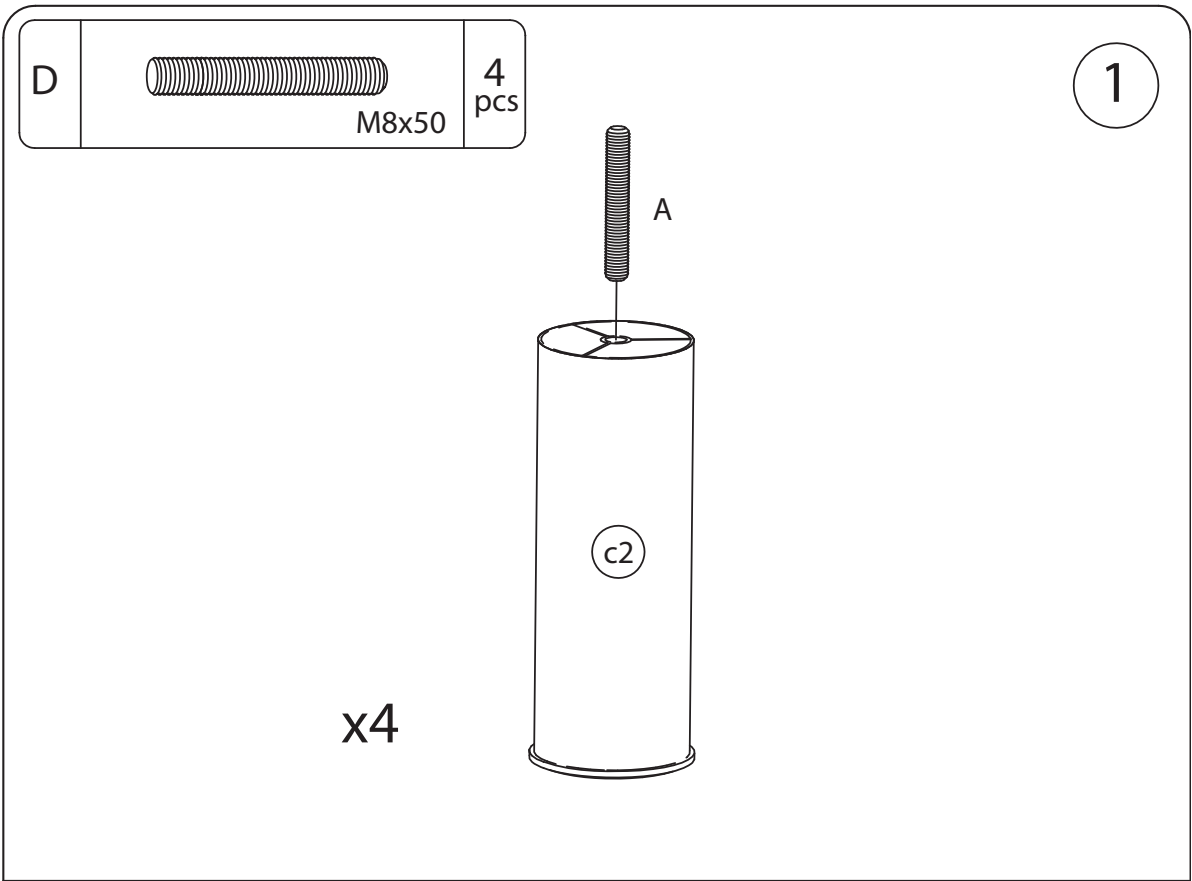
R		M4 x35	3 pcs
---	-------------------------------------------------------------------------------------	--------	----------

C		Ø40	3 pcs
---	-------------------------------------------------------------------------------------	-----	----------

H			2 pcs
---	---------------------------------------------------------------------------------------	--	----------

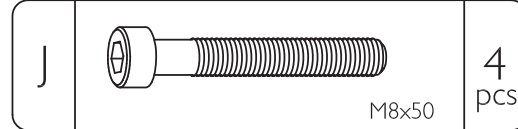
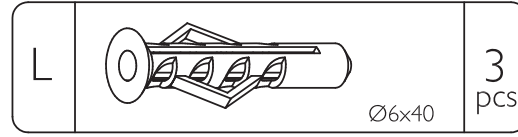
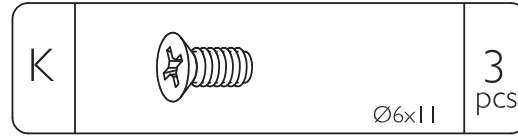
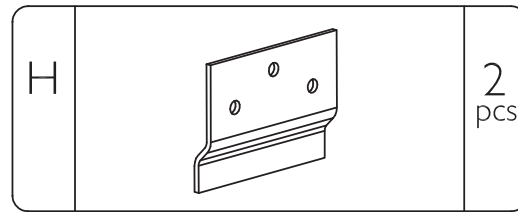
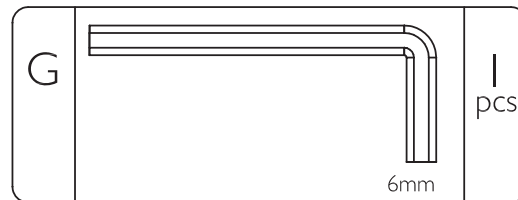
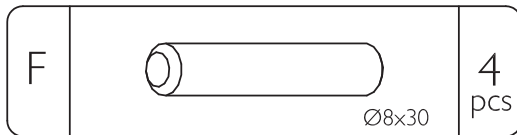
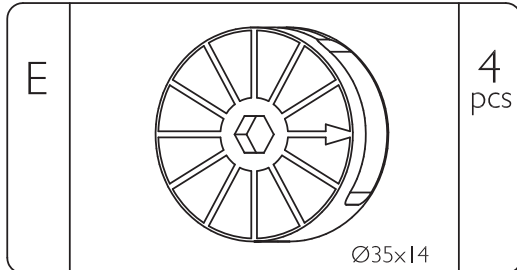
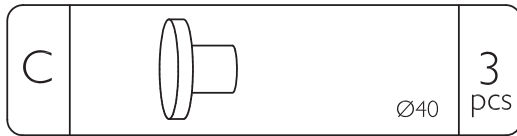
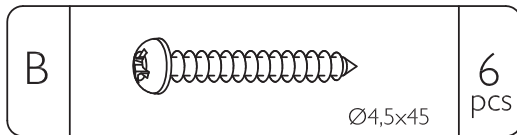
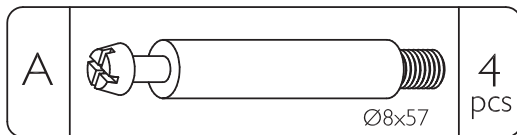
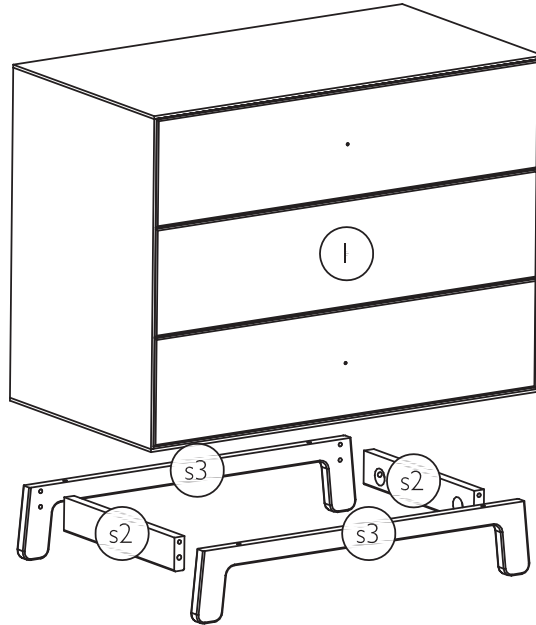
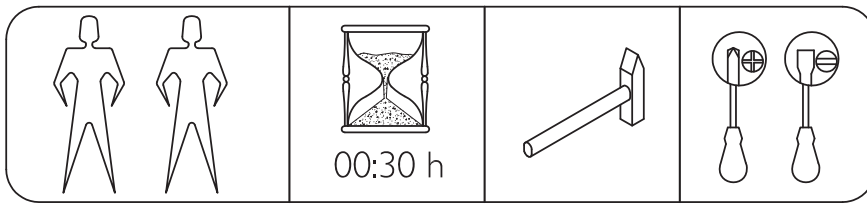
K		Ø6x11	3 pcs
---	--------------------------------------------------------------------------------------	-------	----------

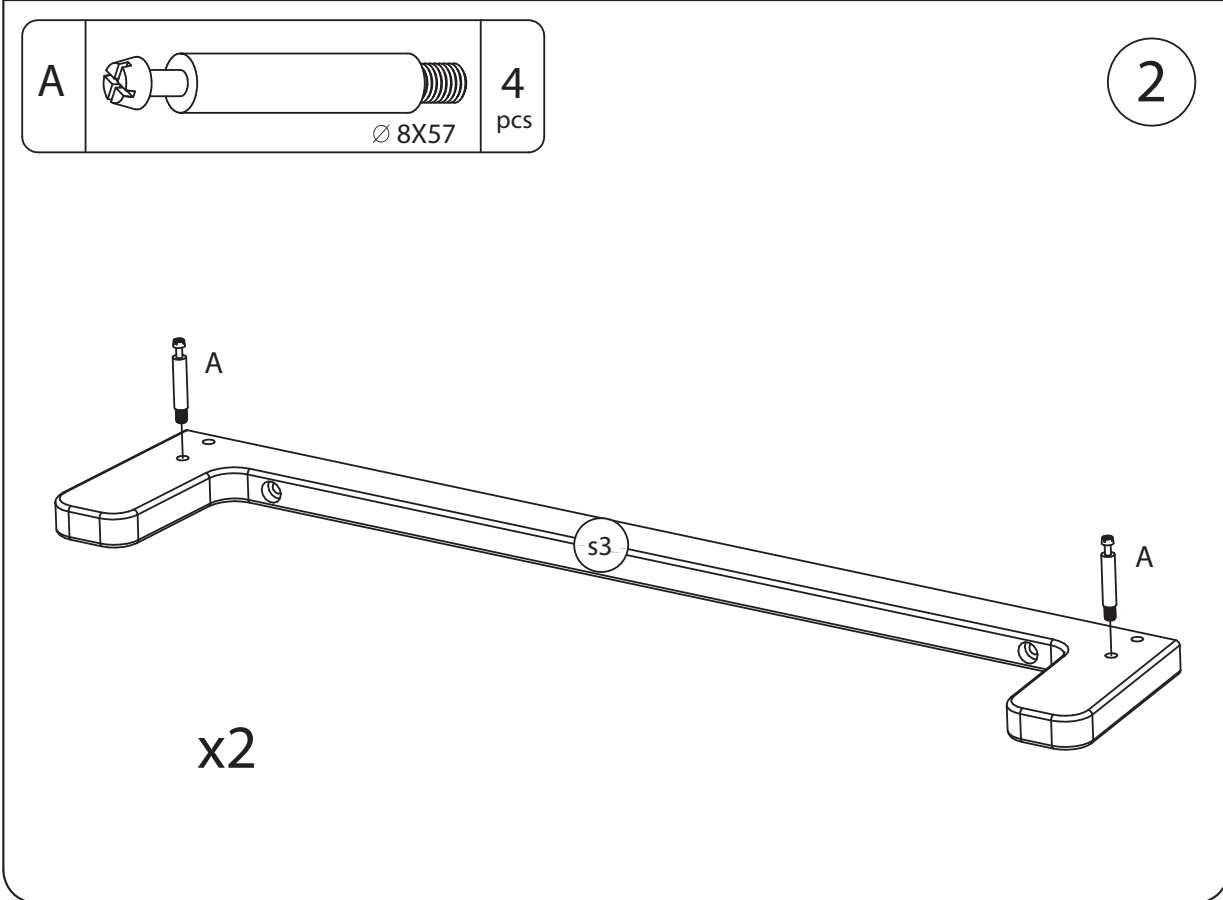
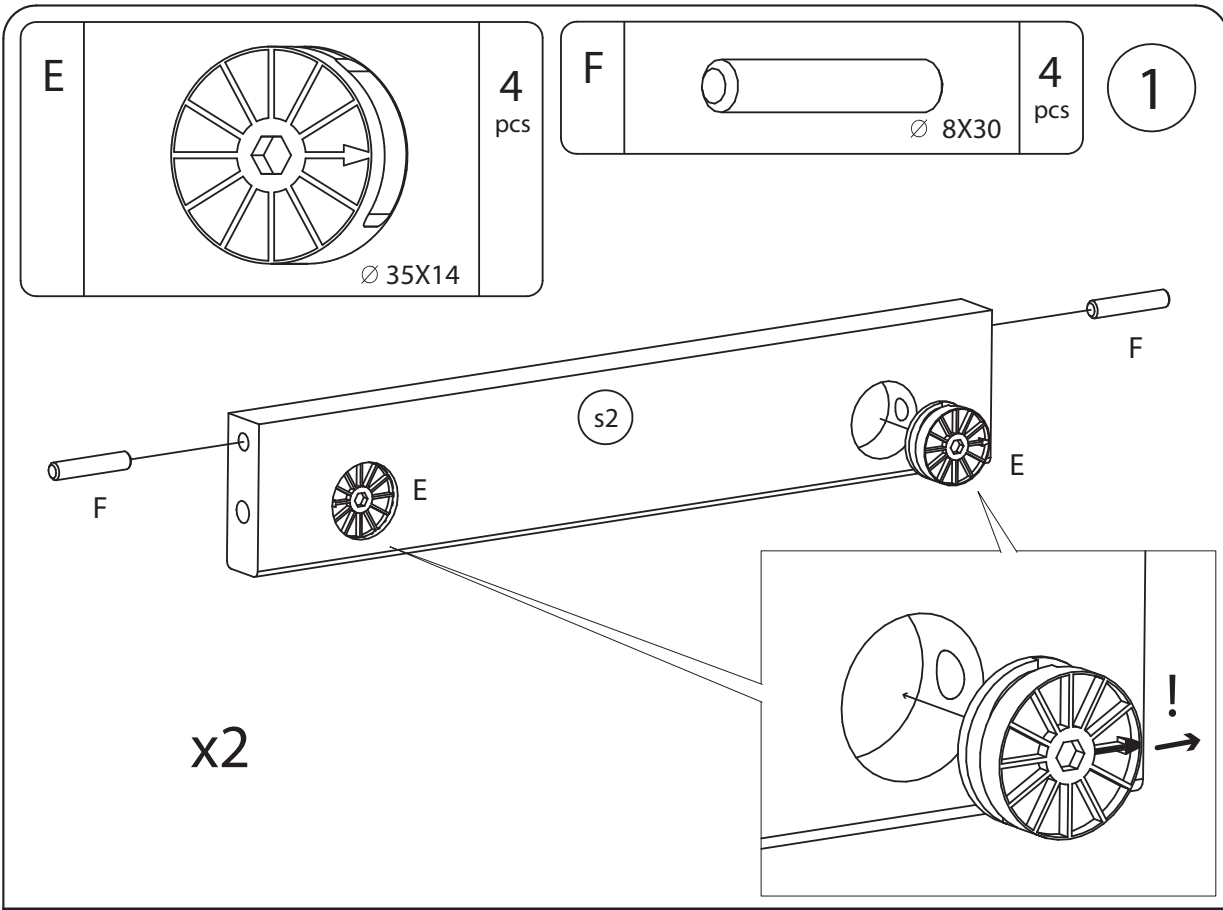
L		Ø6x40	3 pcs
---	--------------------------------------------------------------------------------------	-------	----------

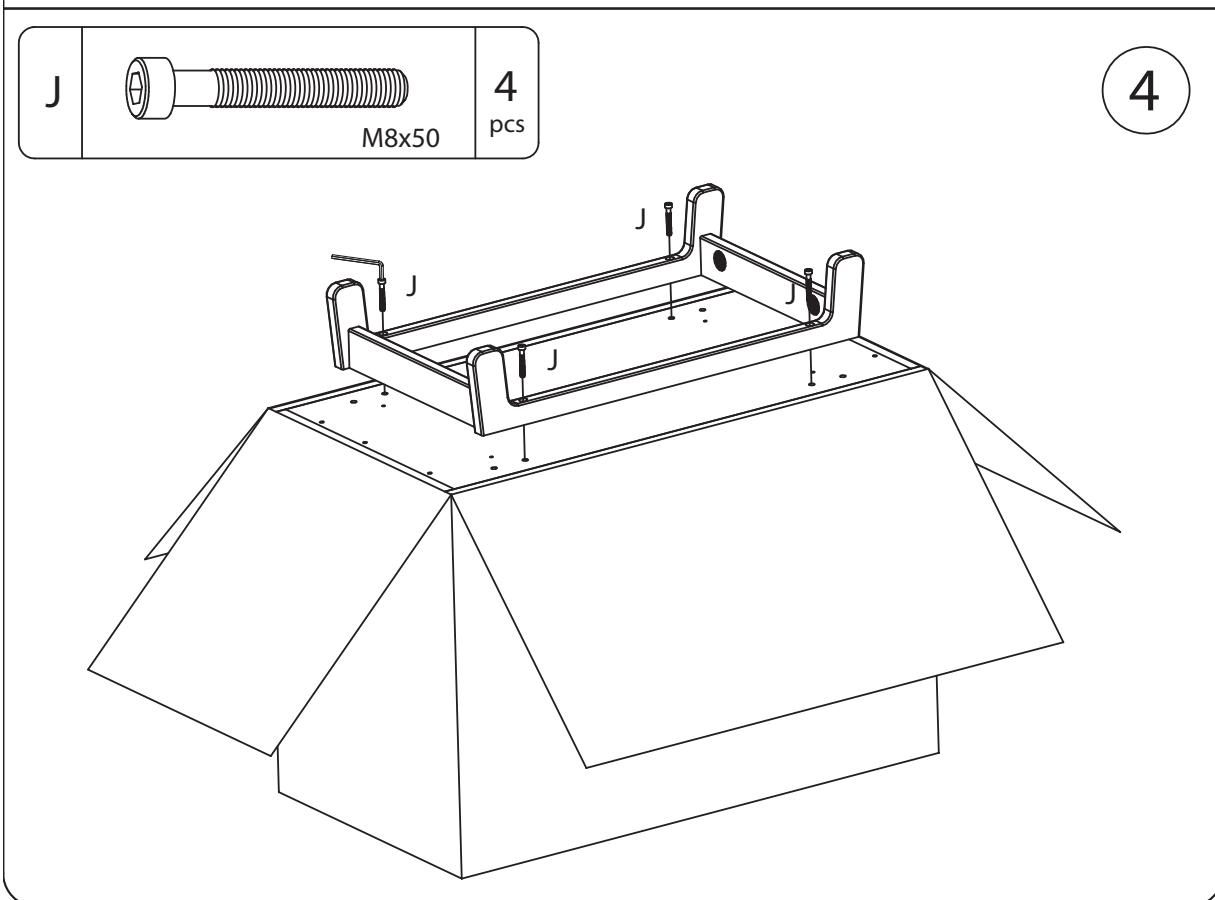
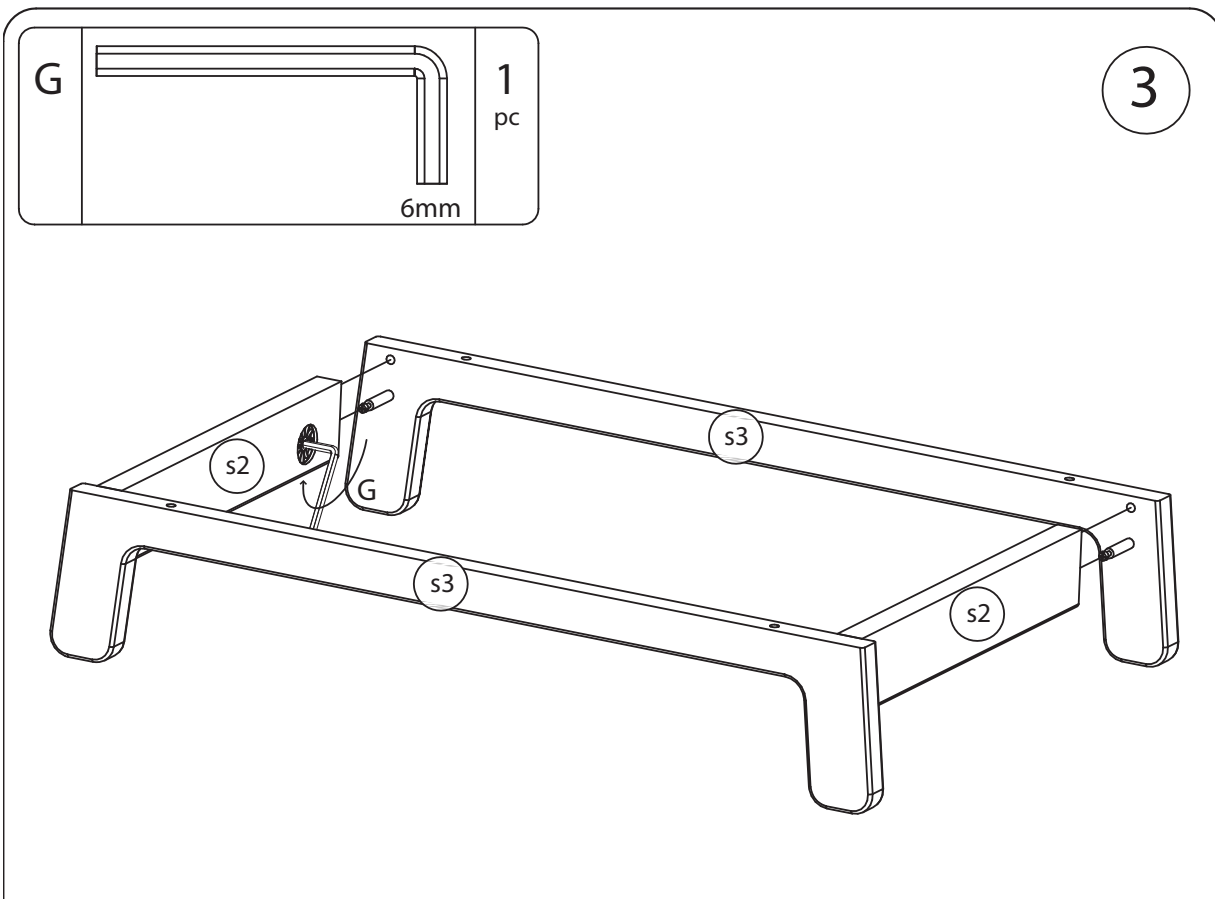


Go to page 14 for final assembly.

SPARROW BASE

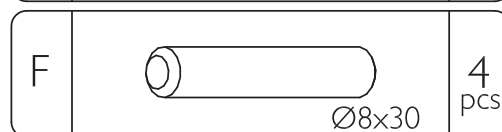
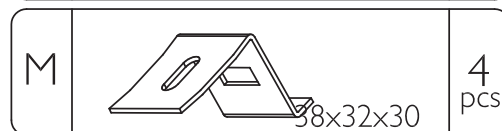
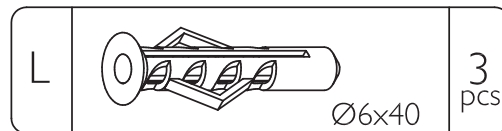
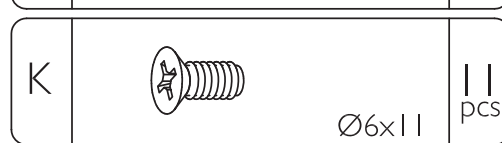
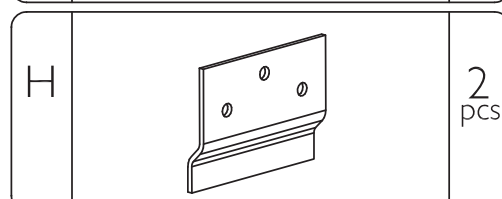
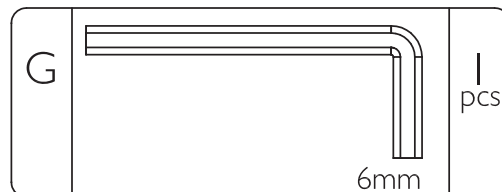
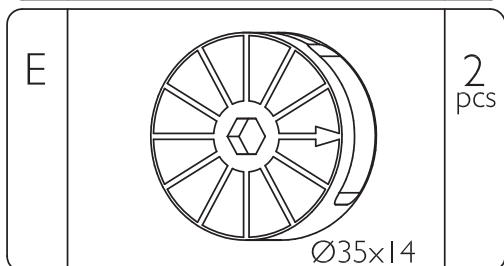
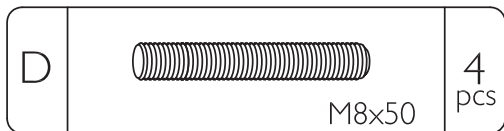
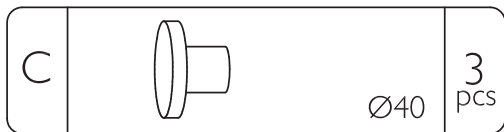
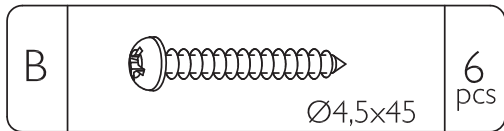
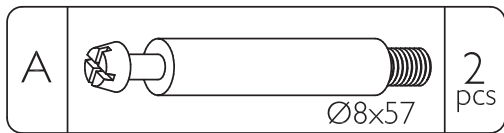
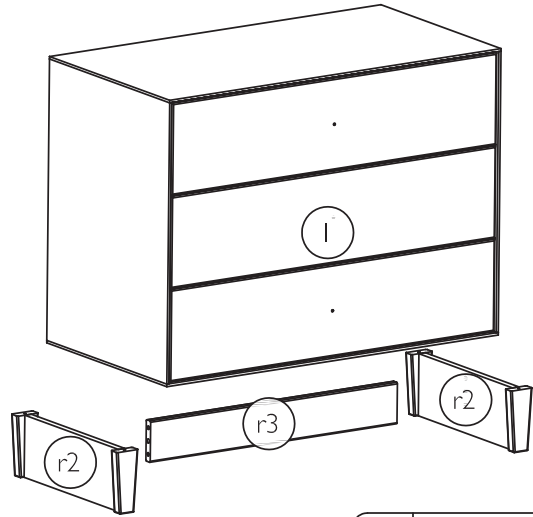
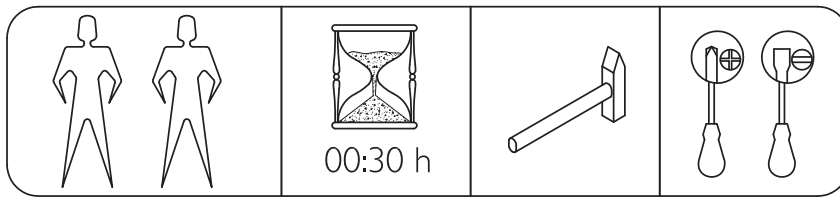


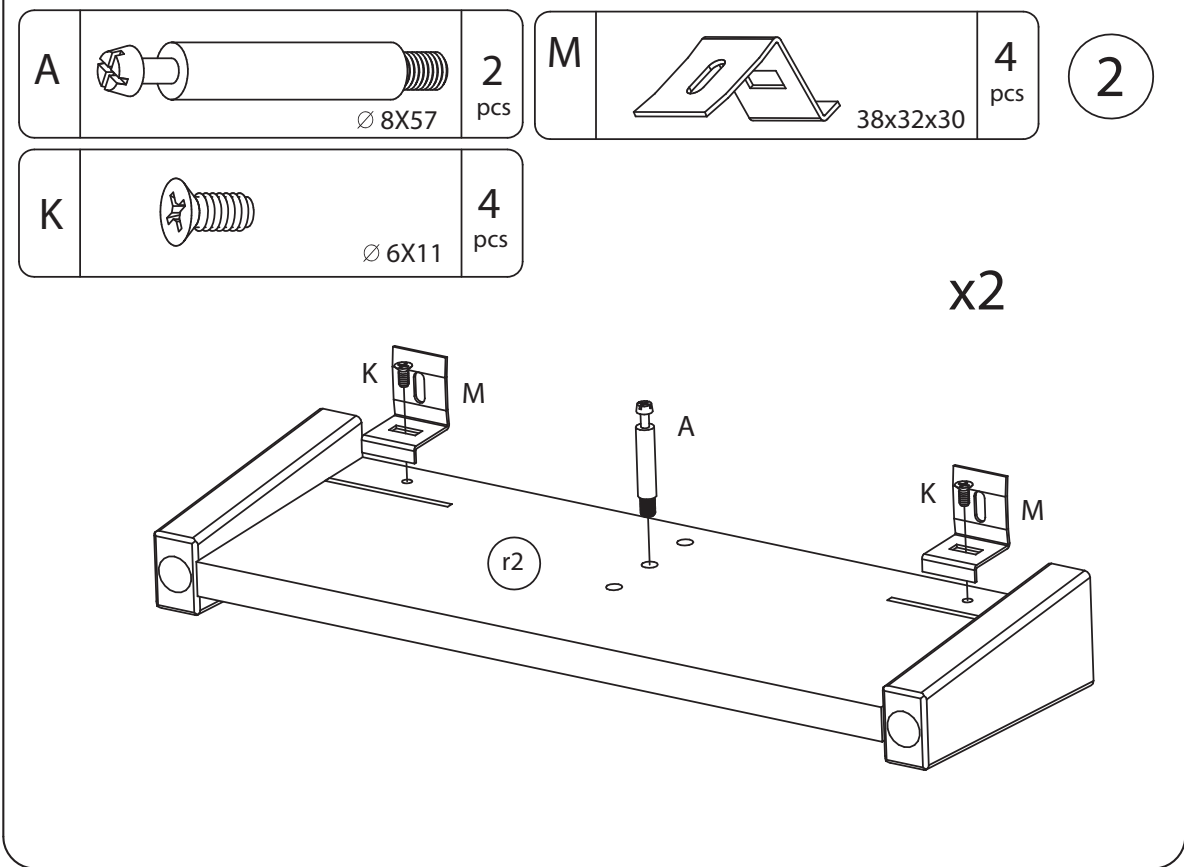
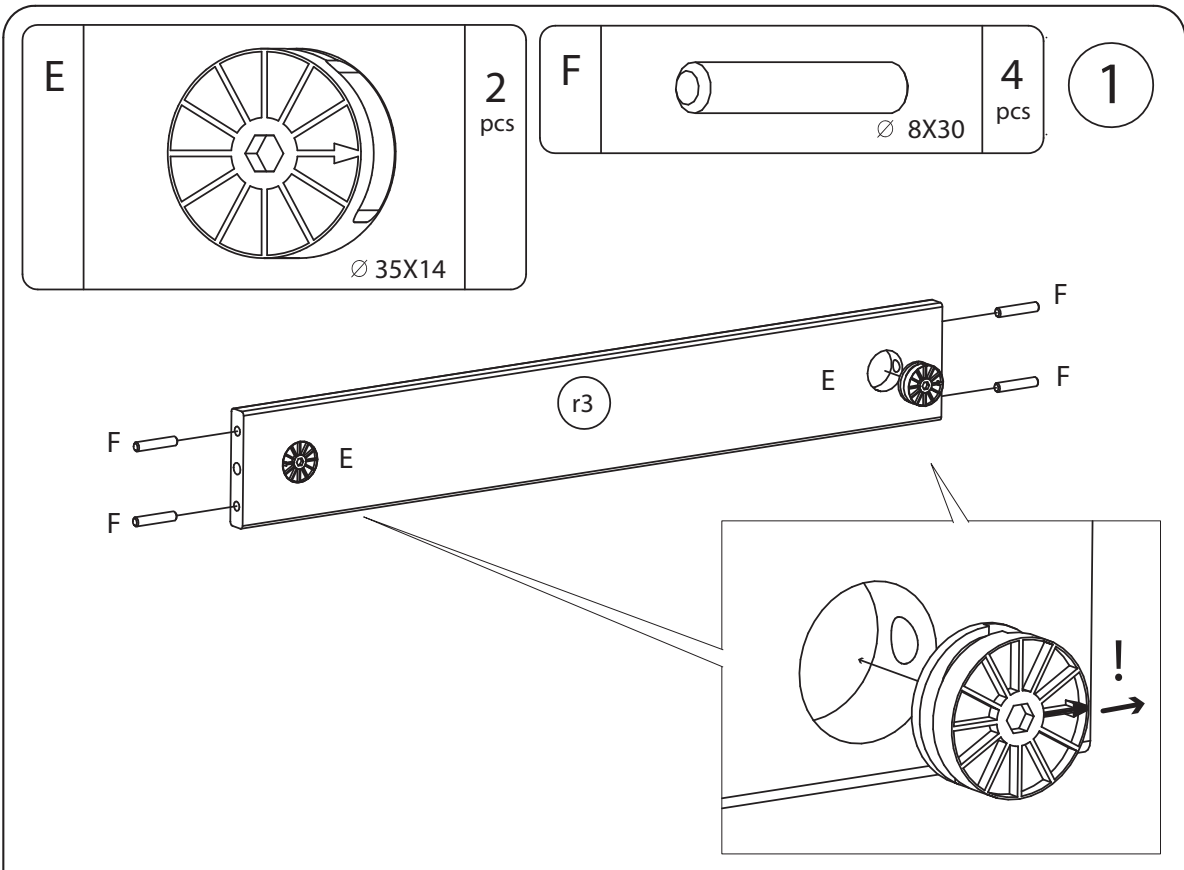


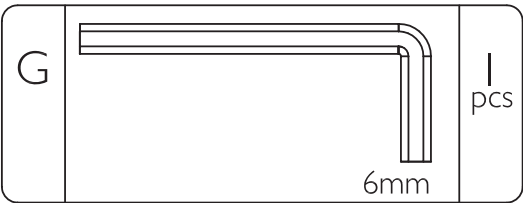


Go to page 14 for final assembly.

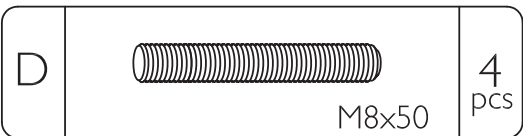
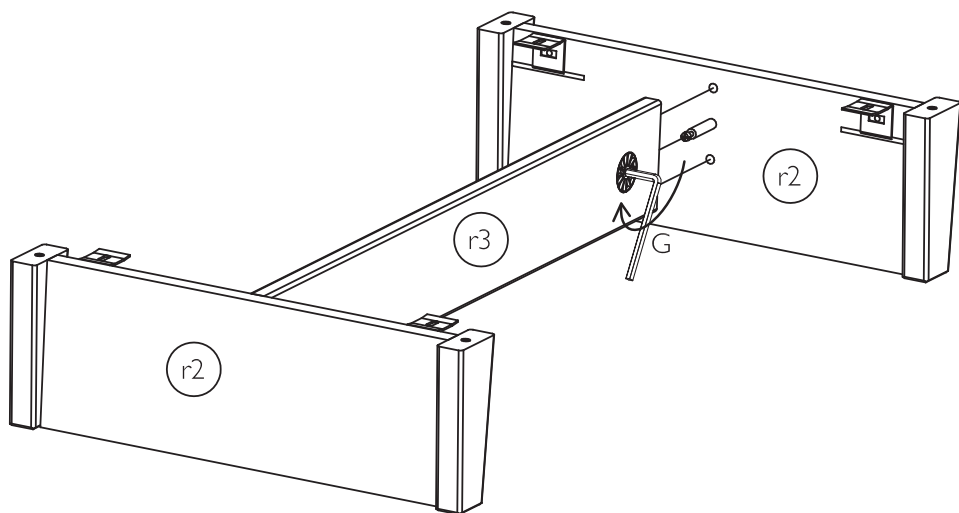
RHEA BASE



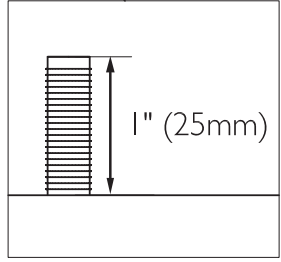
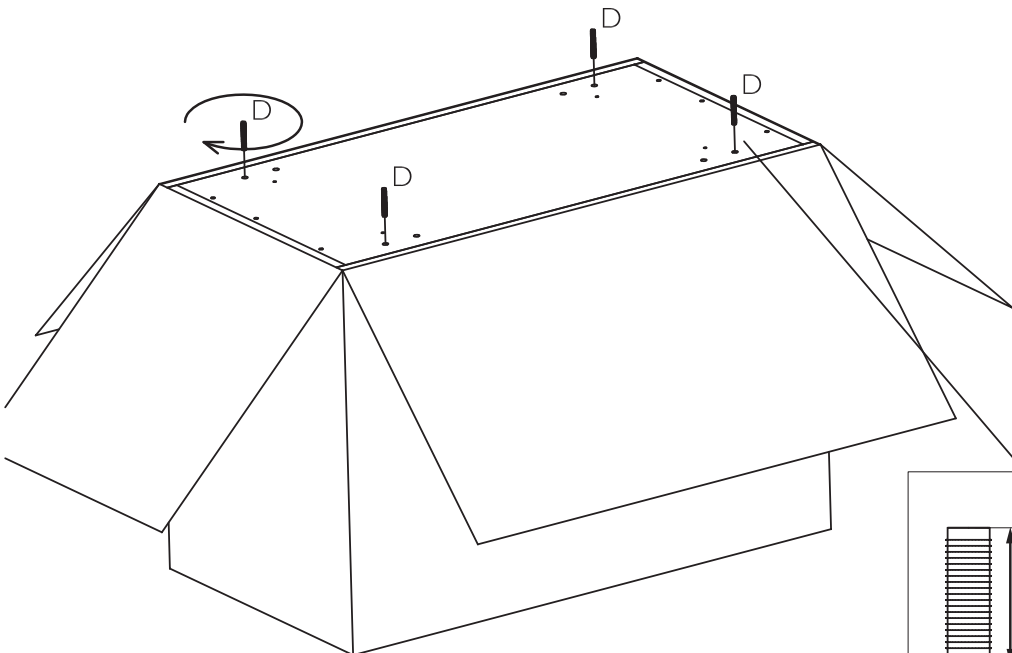


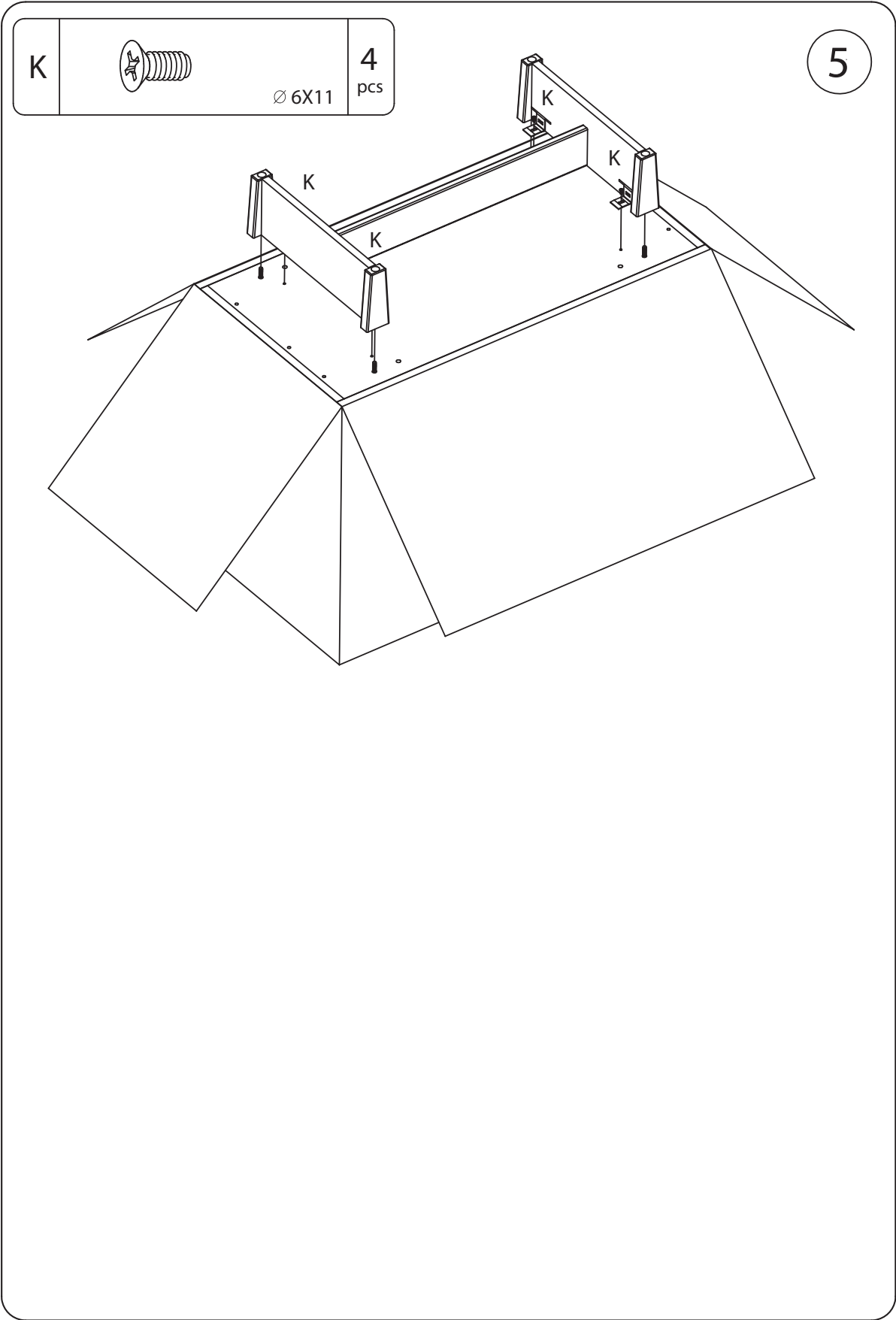


3



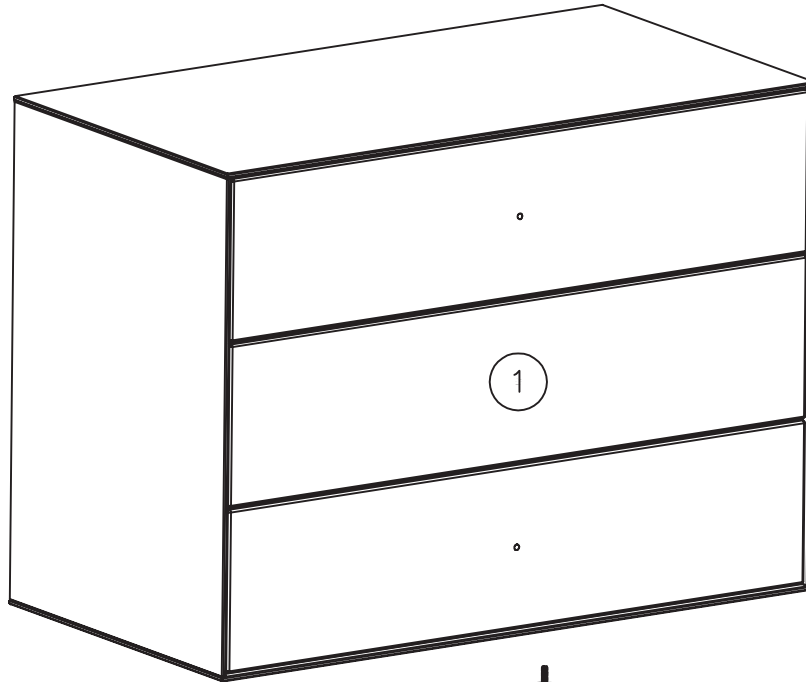
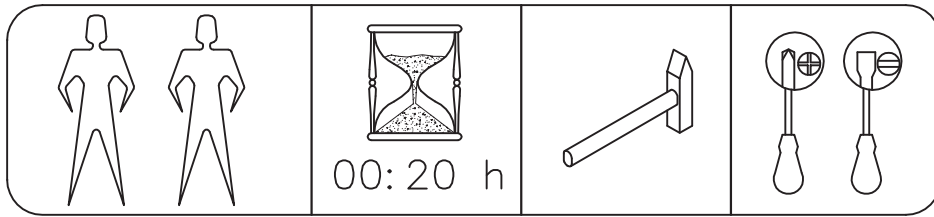
4




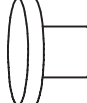


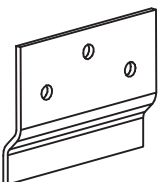
Go to page 14 for final assembly.


FAWN BASE




B	 ø4,5x45	6 pcs
---	------------------------------------------------------------------------------------------------	----------

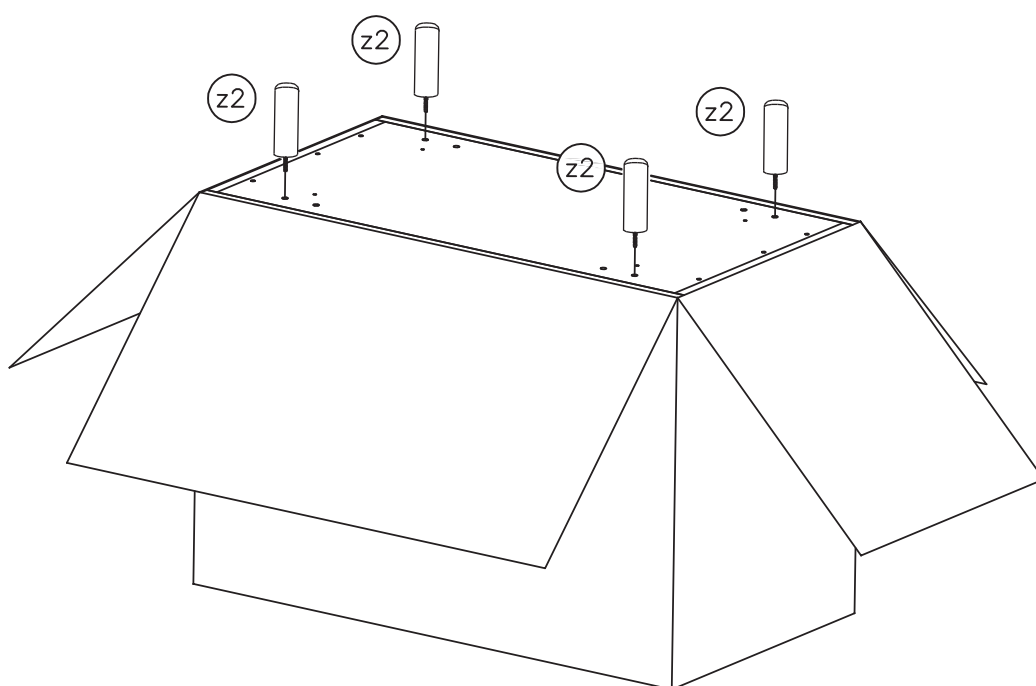
C	 ø40	3 pcs
---	--------------------------------------------------------------------------------------------	----------

H		2 pcs
---	---------------------------------------------------------------------------------------	----------

K	 ø6x11	3 pcs
---	-----------------------------------------------------------------------------------------------	----------

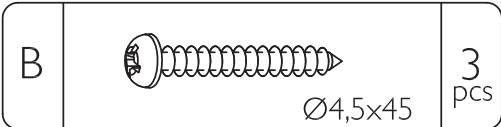
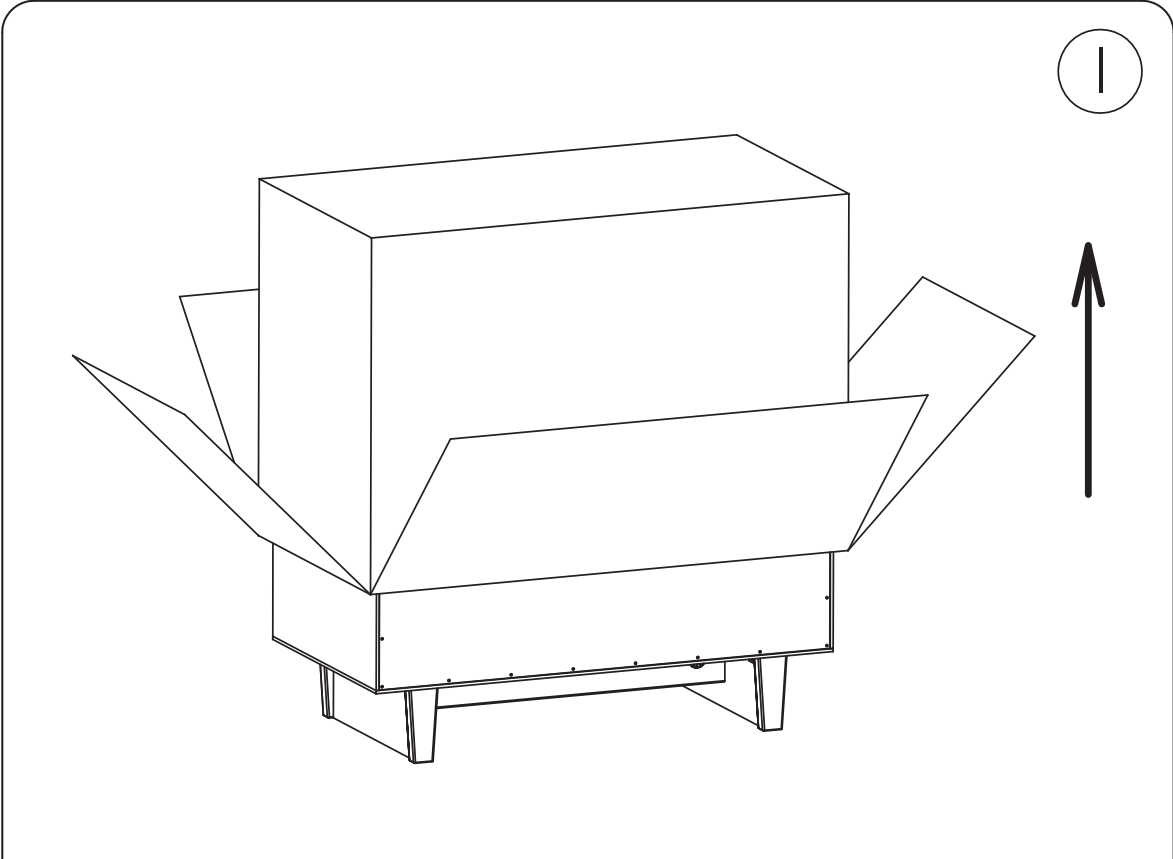
L	 ø6x40	3 pcs
---	-----------------------------------------------------------------------------------------------	----------

1

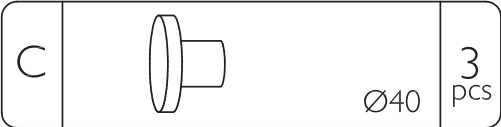


Go to page 14 for final assembly.

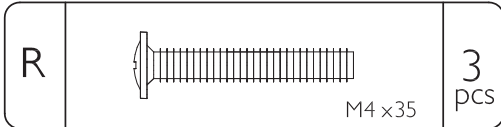
FINAL ASSEMBLY



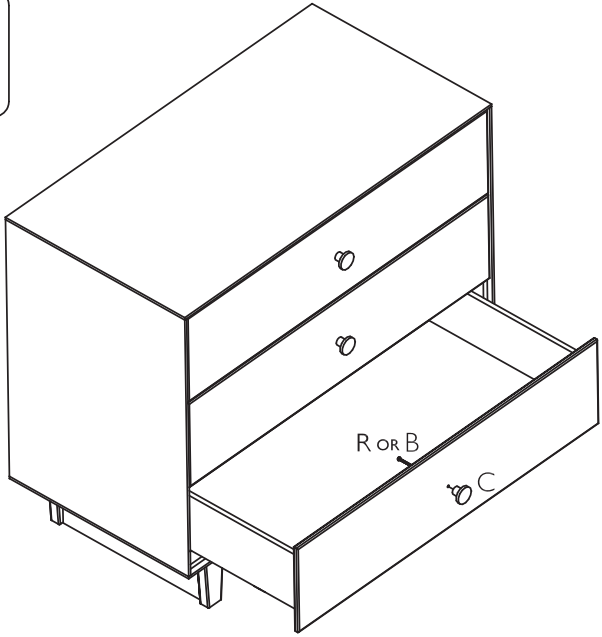
SPARROW RHEA FAWN BASE

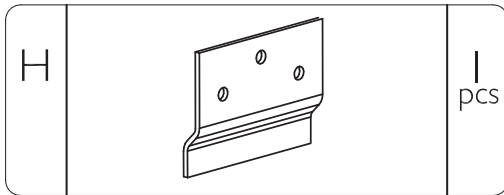
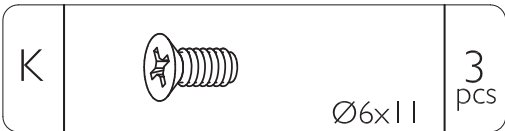


2

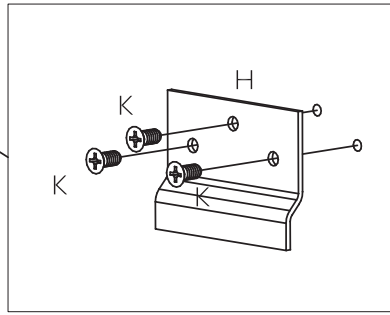
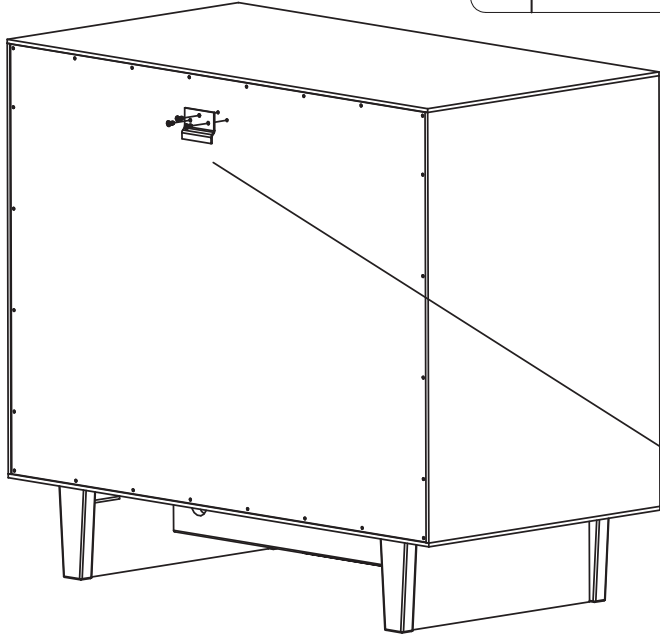


CLASSIC BASE

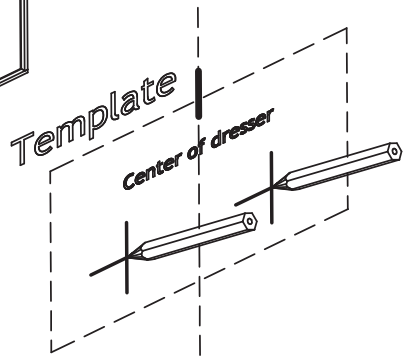
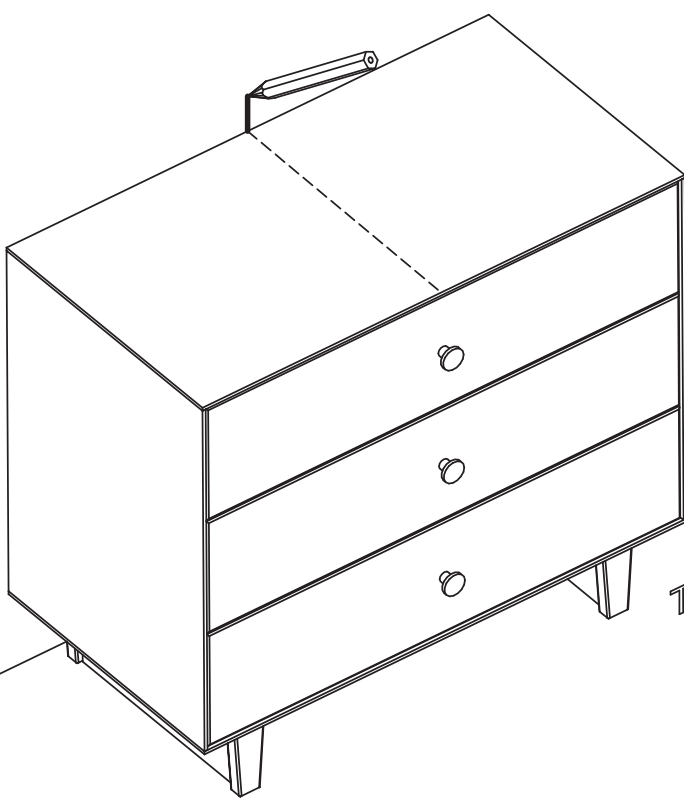




3



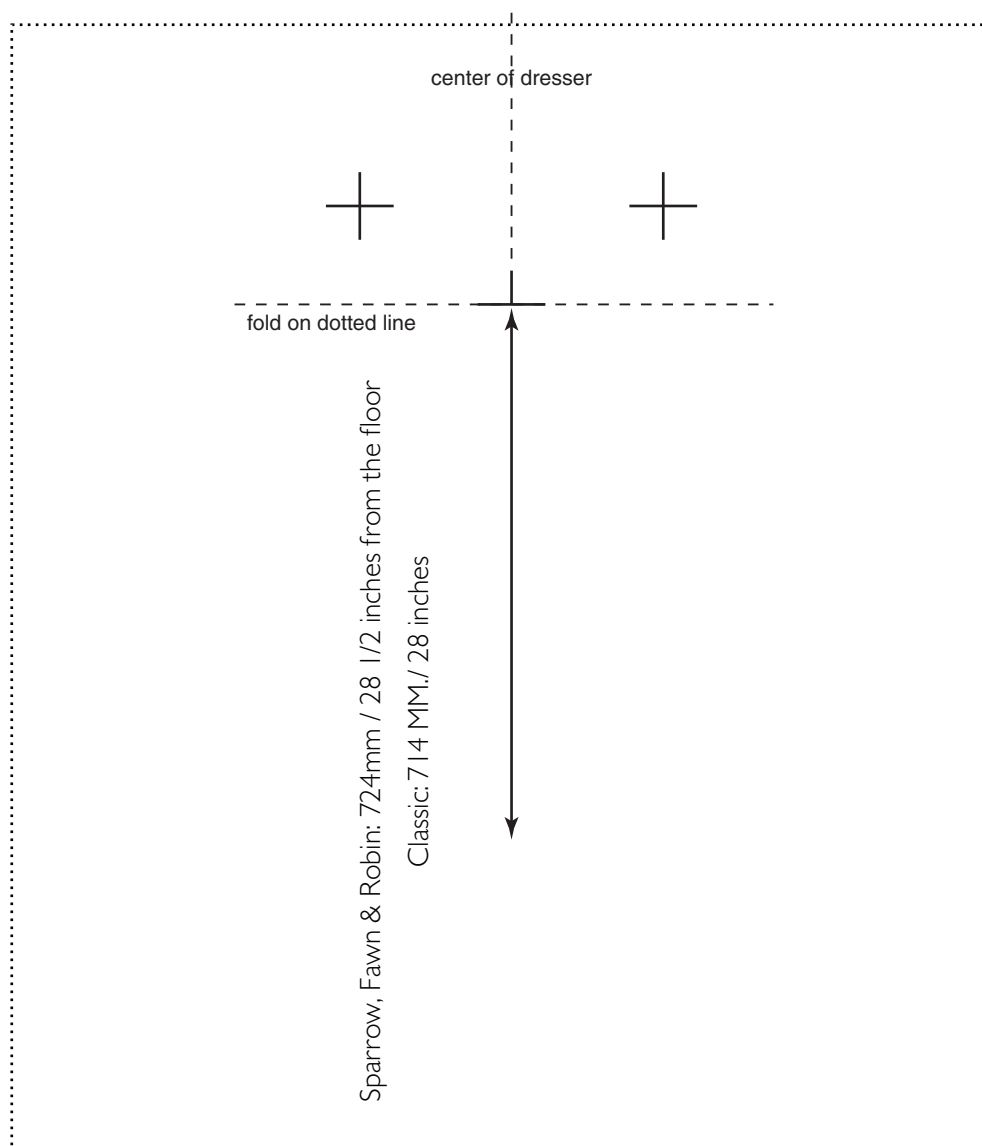
4

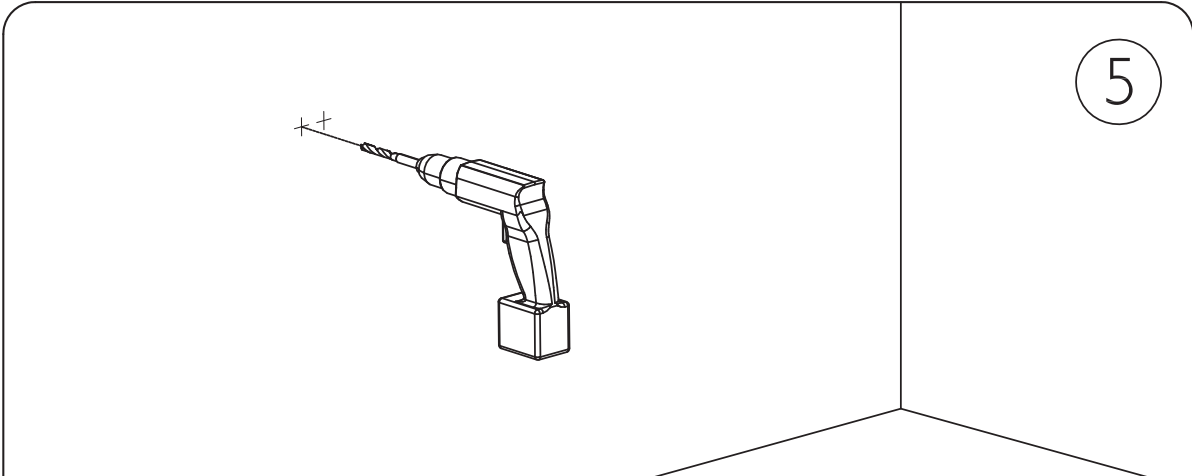


The most secure attachment of the bracket is when at least one of the screws can go into a stud in the wall. If the screws provided are not long enough to reach the stud, you will need to provide a longer screw. To attach to a stud, measure 711 mm (28 inches) from the floor and attached the bracket using the center hole.

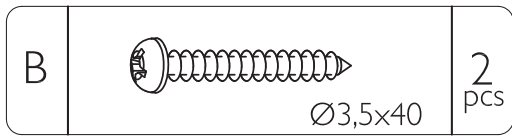
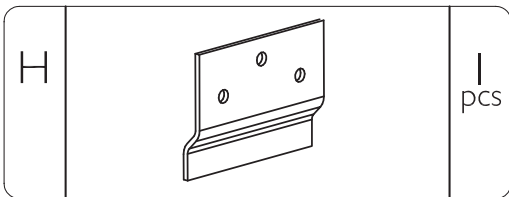
If you can not locate a stud or the position would be too impractical, please use the anchors provided and follow the instruction below. The anchors are designed for sheetrock and brick/concrete walls.

1. Determine where you want the dresser positioned.
2. Find the center of the dresser from side to side and mark the wall with a pencil. (The center is located at the center of the bracket you just attached to the dresser!)
3. For Sparrow, Fawn and Robin bases measure 724 mm (28.5 inches) from the floor at the center mark. For Classic base measure 714 mm (28 inches) from the floor at the center mark.
4. Position the template so the intersection of the dotted lines is at your last mark on the wall.
5. With a pencil, mark the wall at the two “+”.
6. Remove the template and drill two 6 mm (1/4 inch) holes at the two marks.

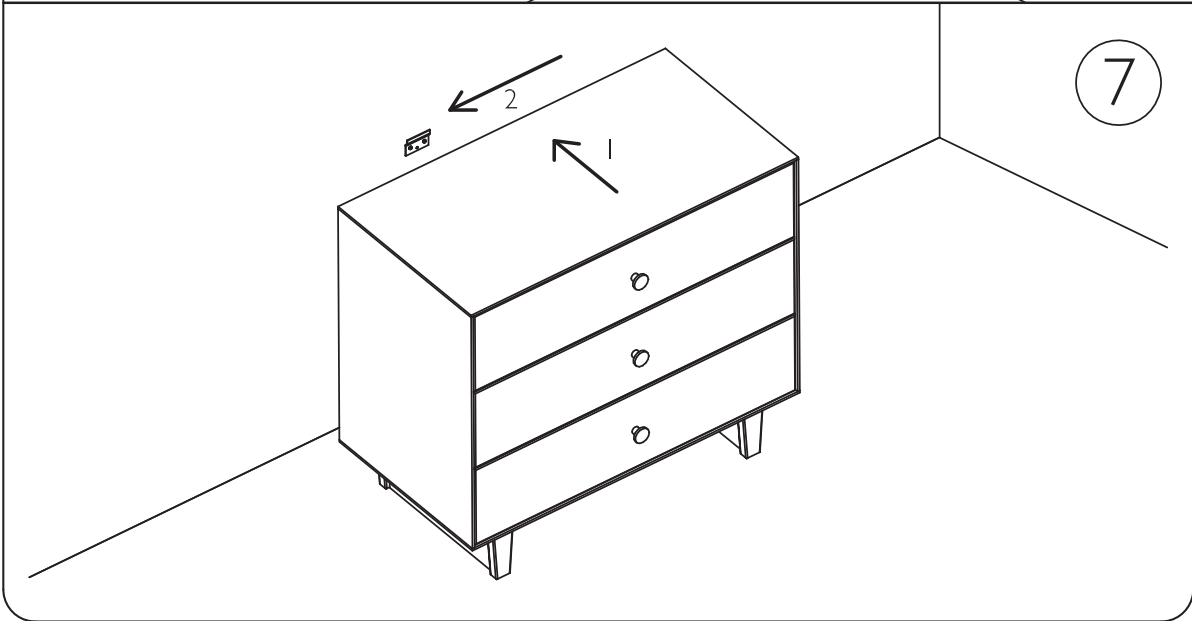
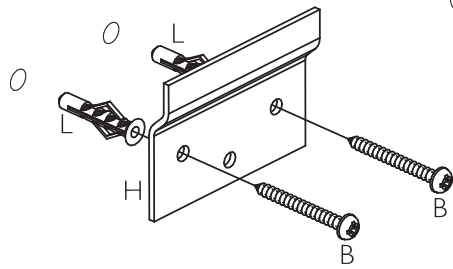
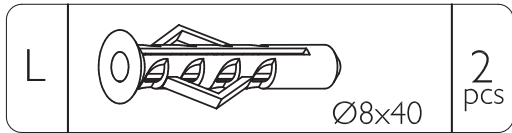




5



6



7

When positioning dresser in its final location, be sure the brackets are overlapping and aligned with each other!