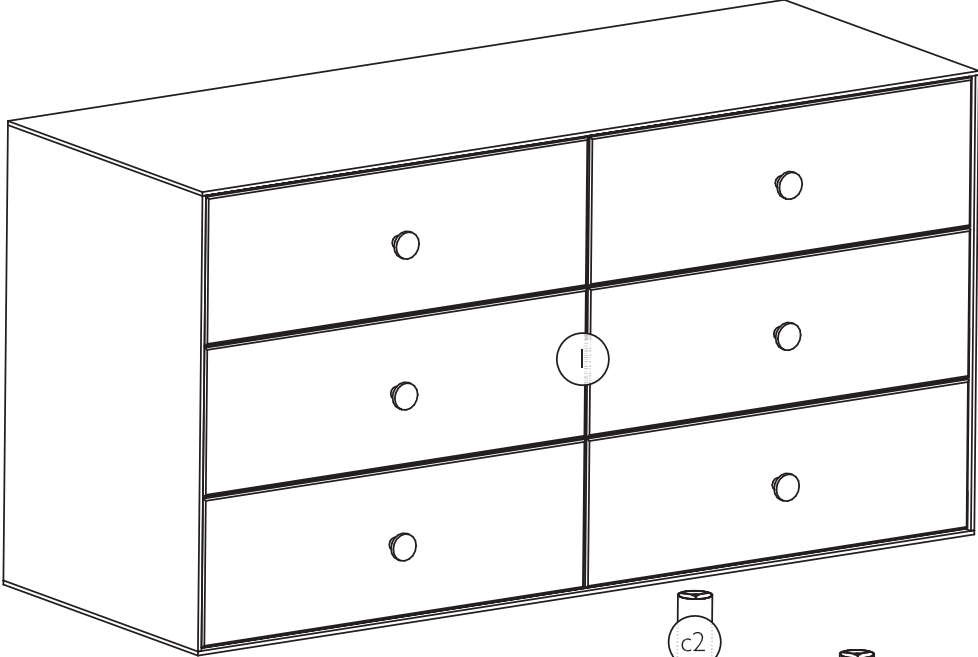
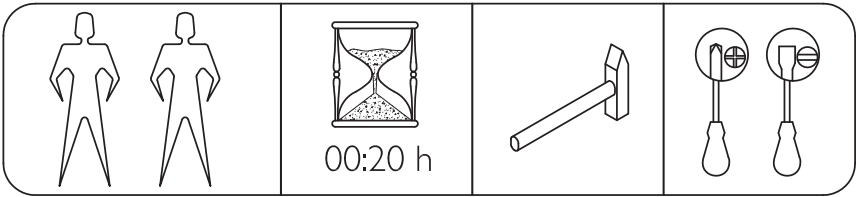



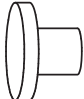
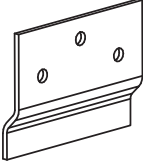


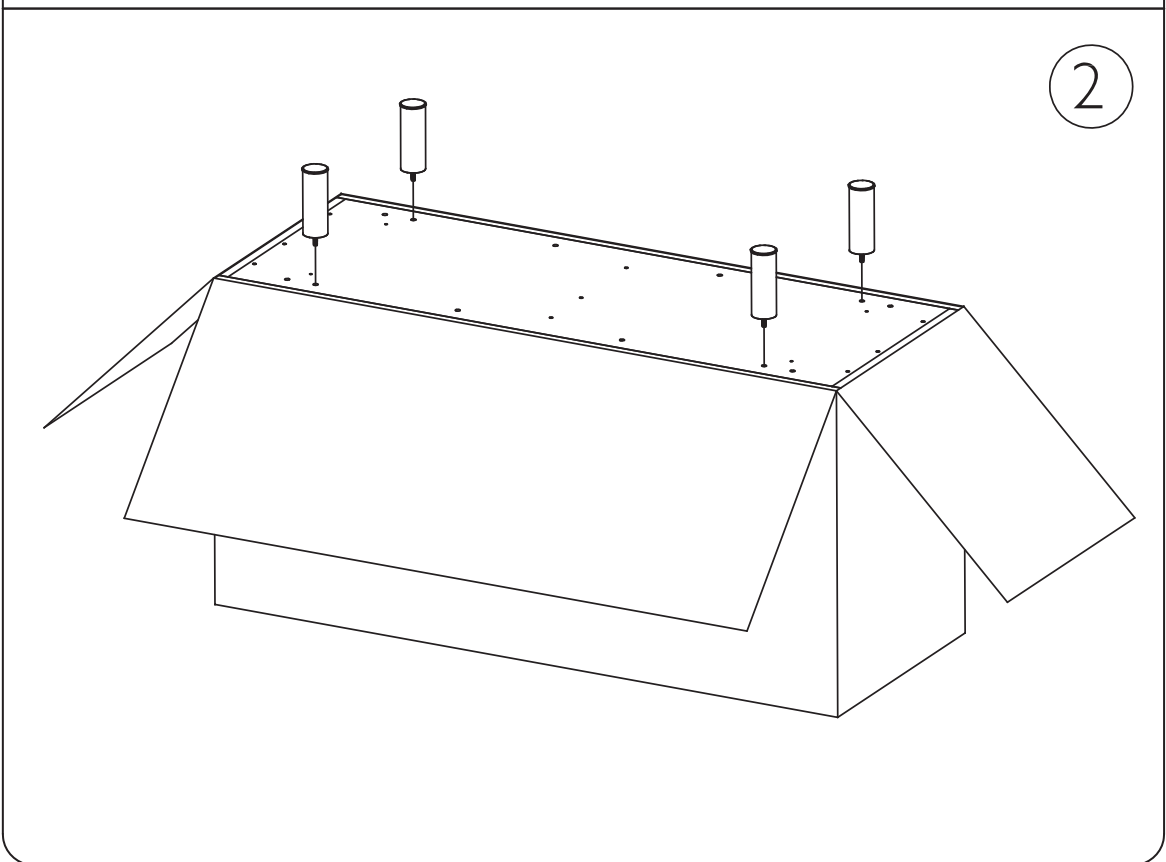
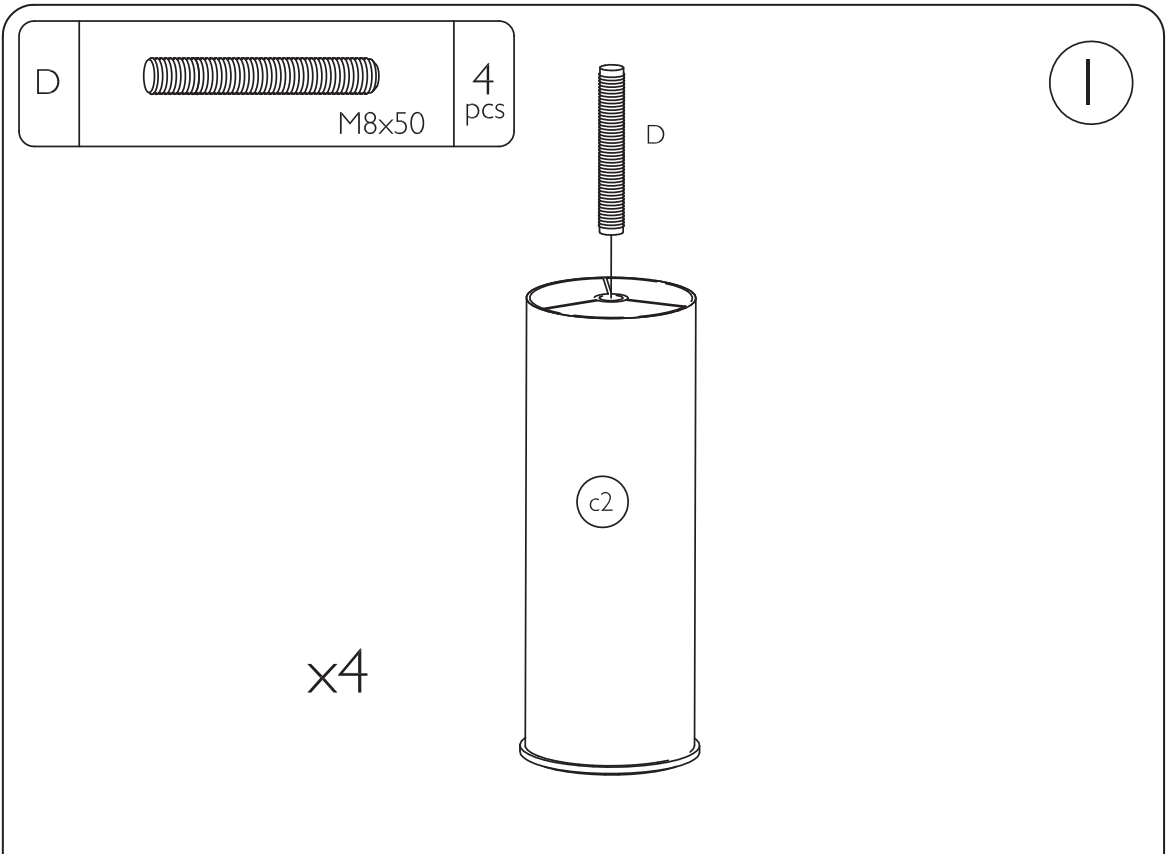


CLASSIC BASE



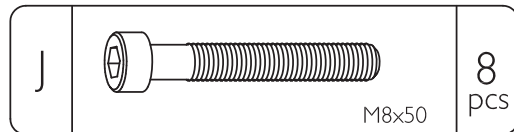
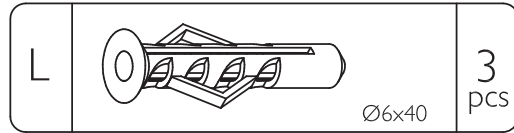
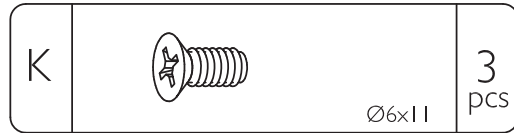
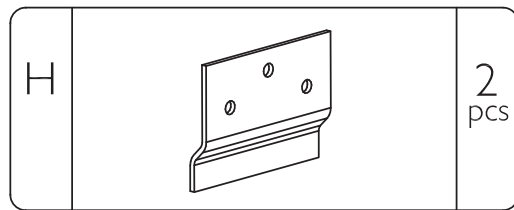
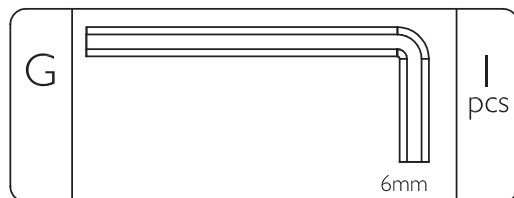
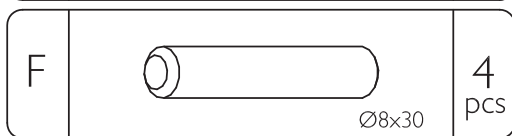
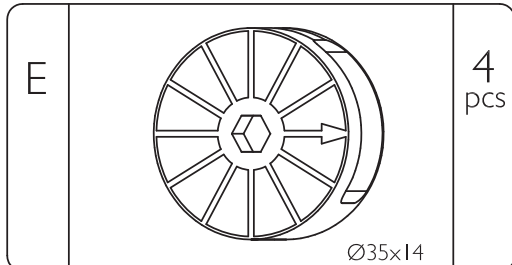
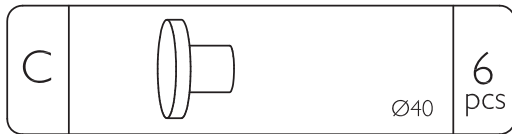
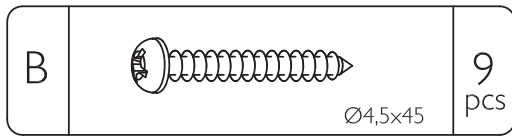
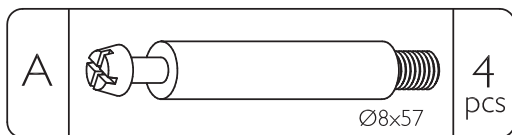
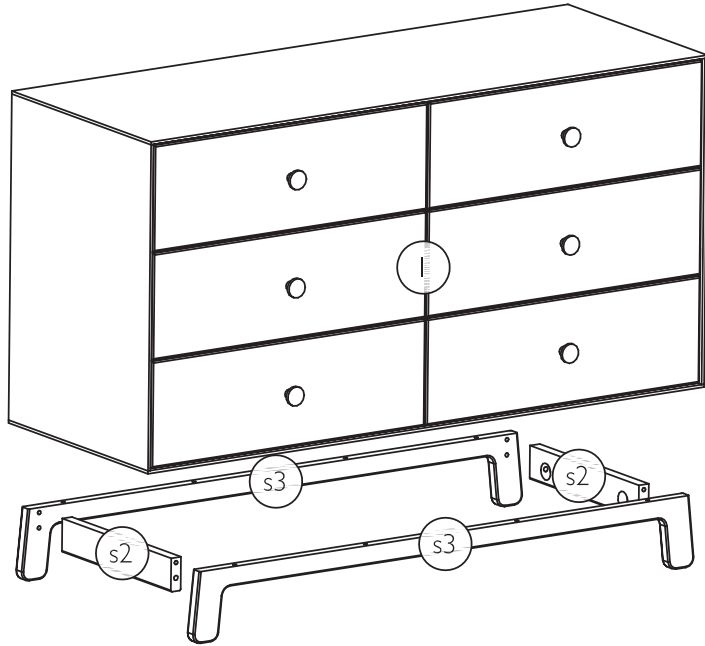
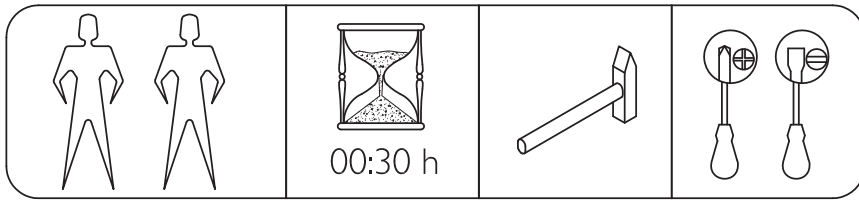
D	 M8x50	4 pcs
R	 M4 x35	6 pcs
B	 Ø4,5x45	3 pcs
C	 Ø40	6 pcs

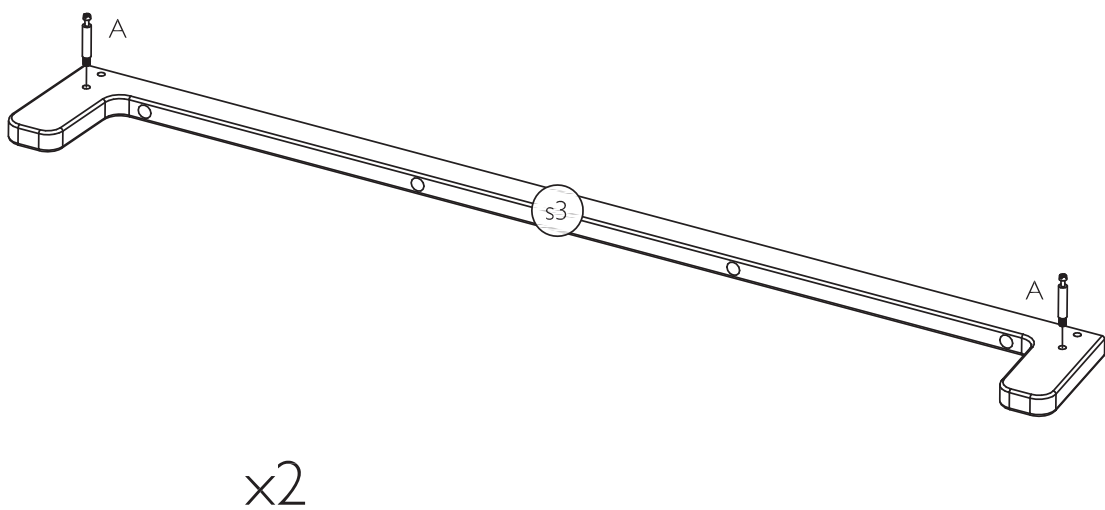
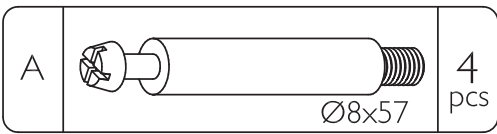
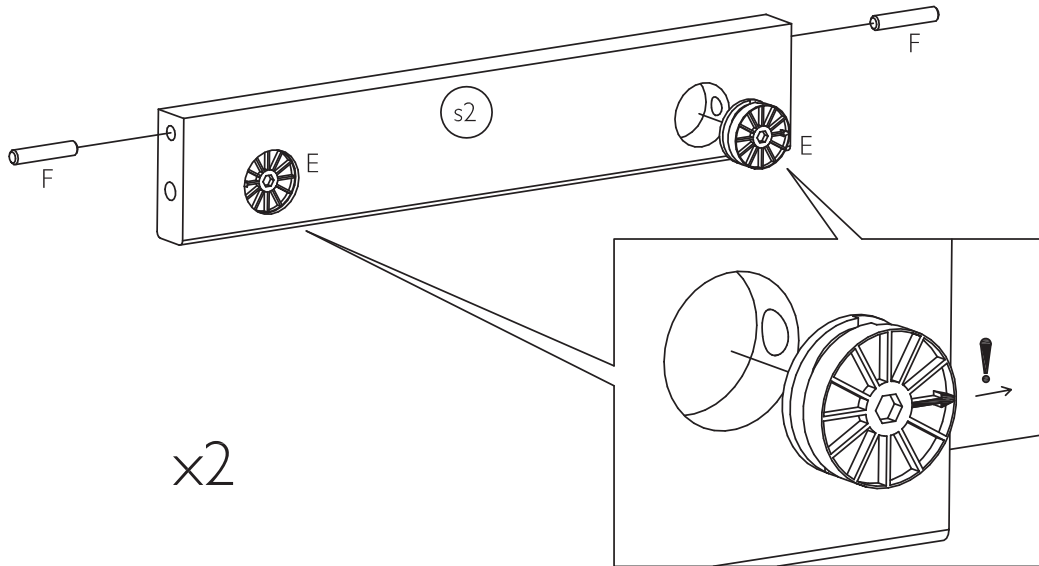
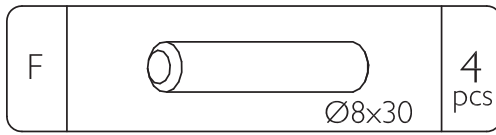
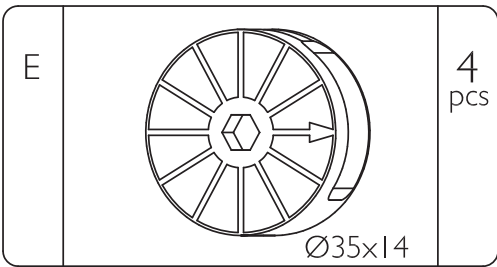
H		2 pcs
K	 Ø6x11	3 pcs
L	 Ø6x40	3 pcs

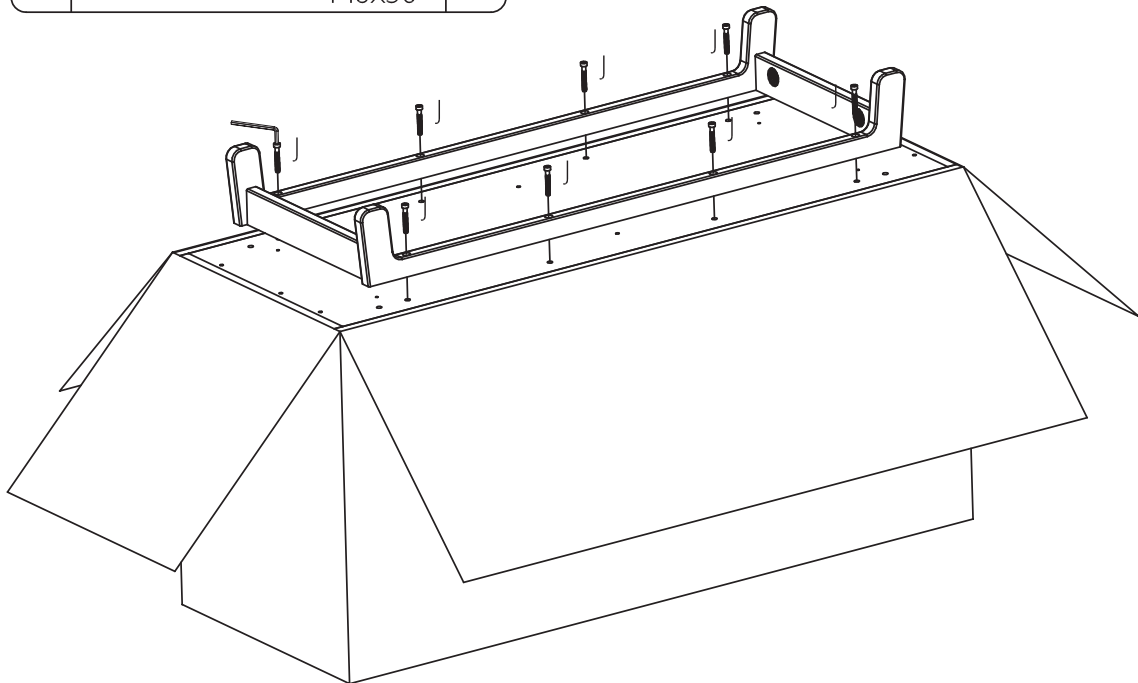
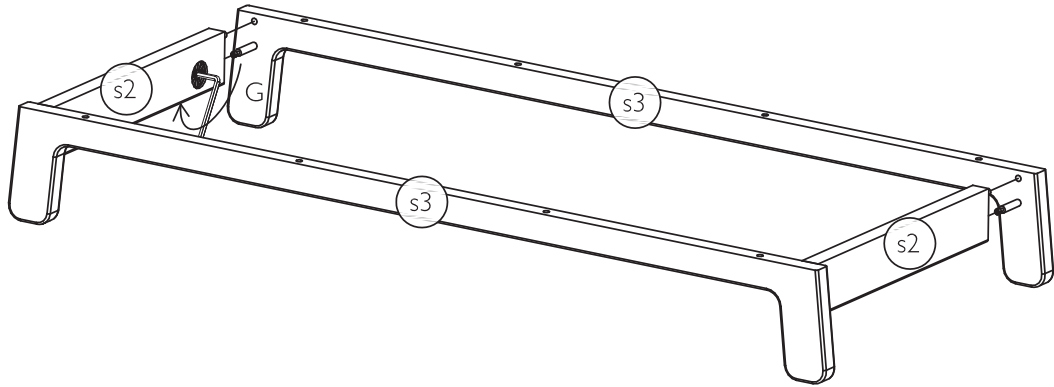


Go to page 14

SPARROW BASE

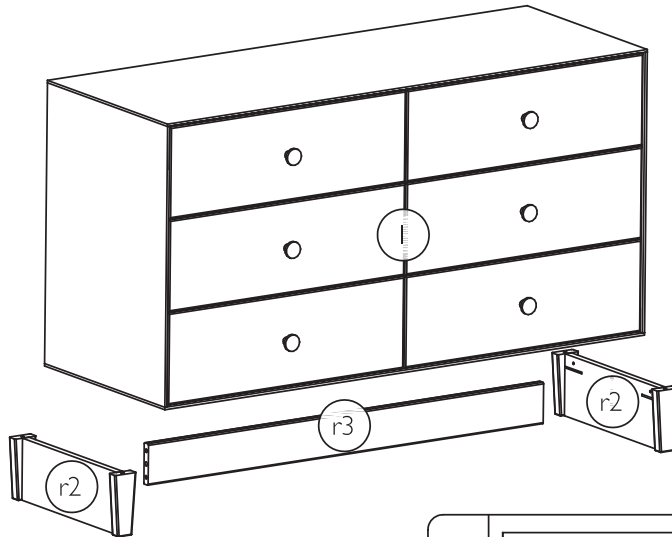
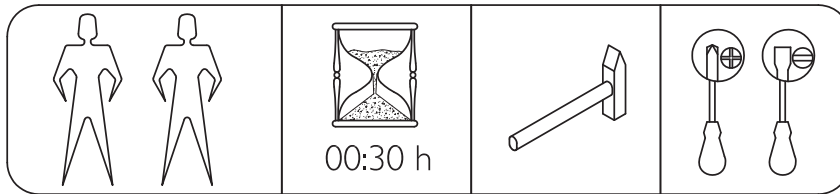






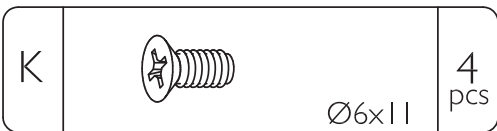
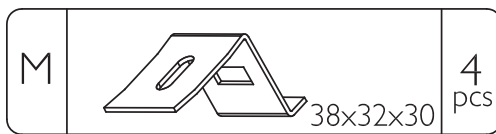
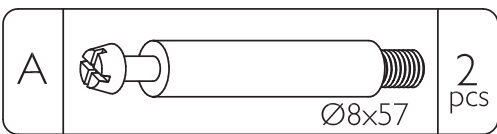
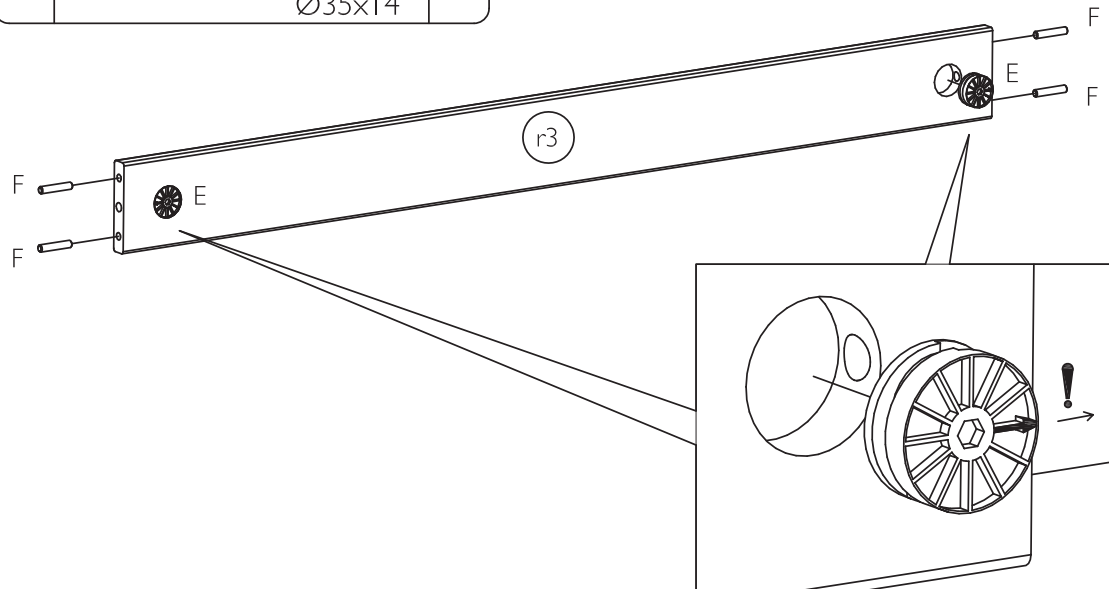
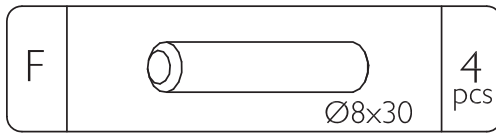
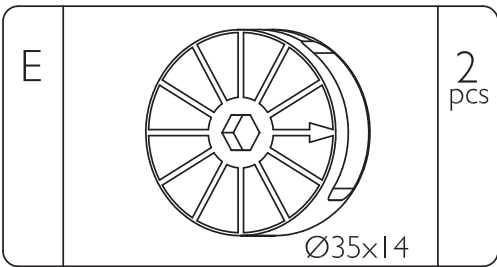
Go to page 14

RHEA BASE

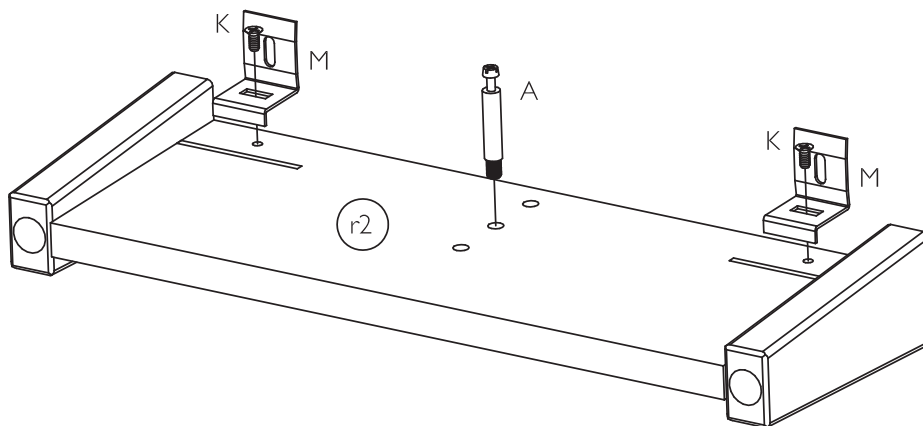


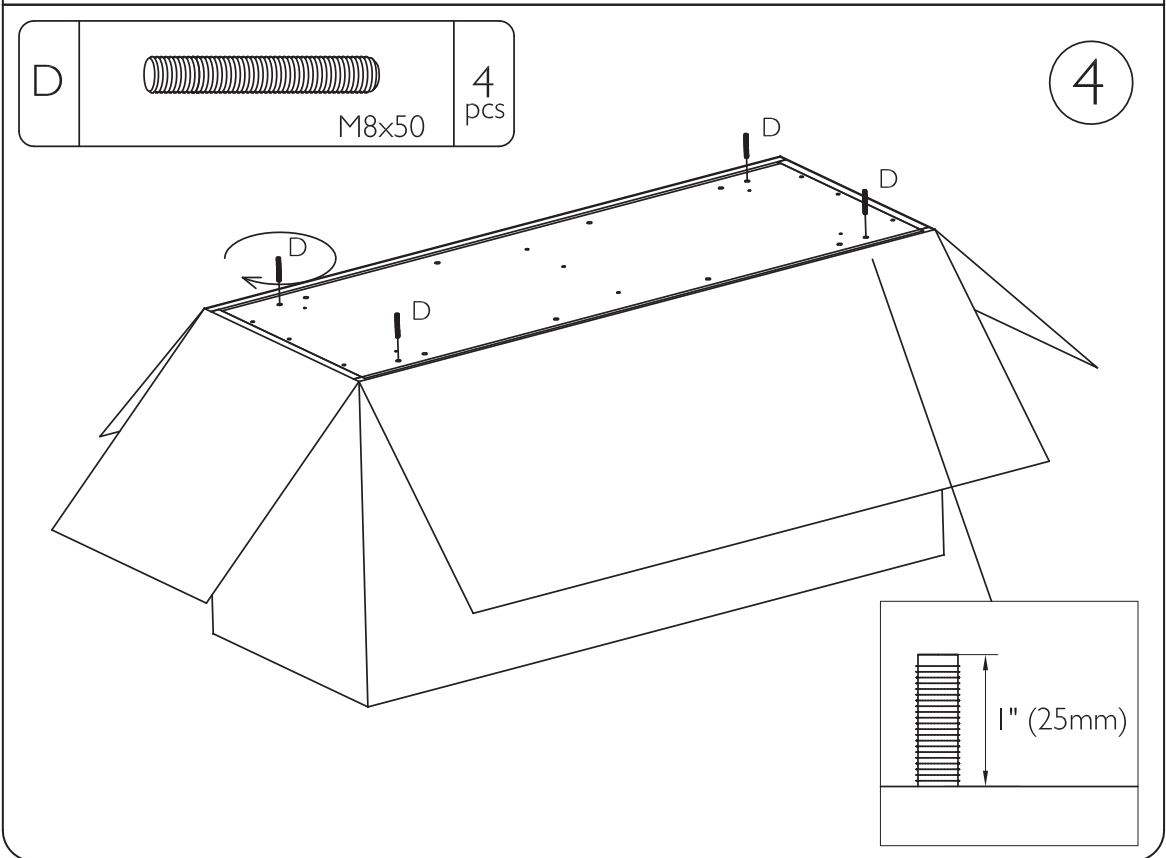
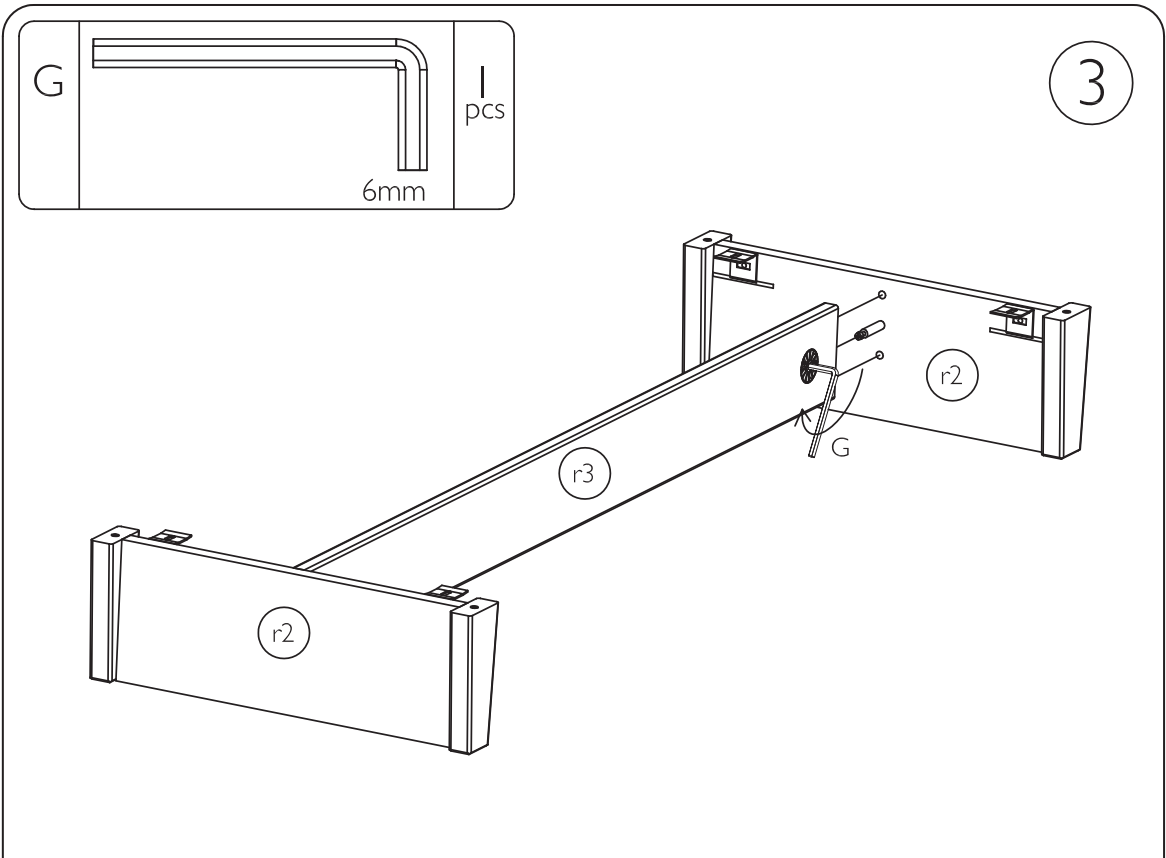
A		2 pcs
B		9 pcs
C		6 pcs
D		4 pcs
E		2 pcs


G		1 pcs
H		2 pcs
K		11 pcs
L		3 pcs
M		4 pcs
F		4 pcs



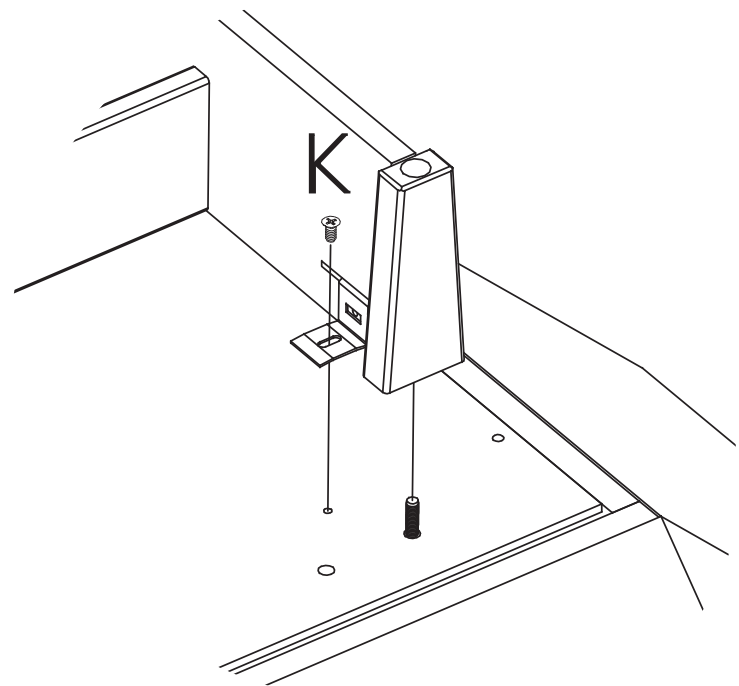
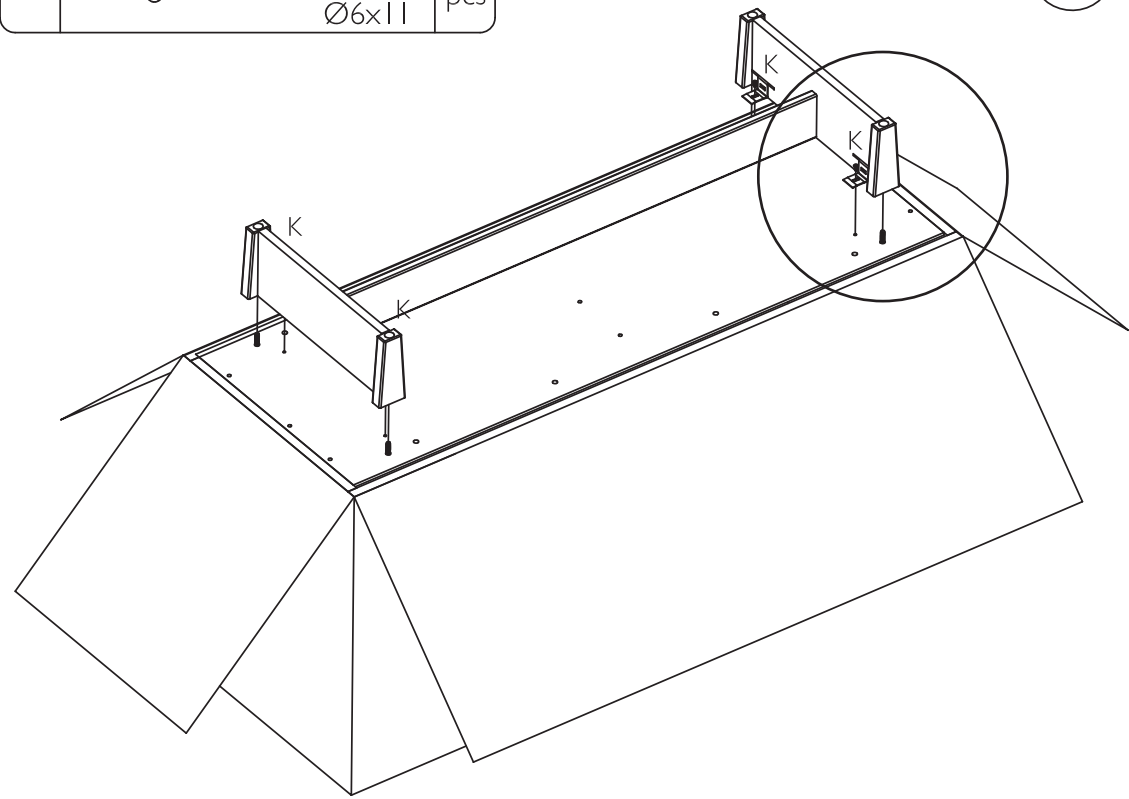
x2





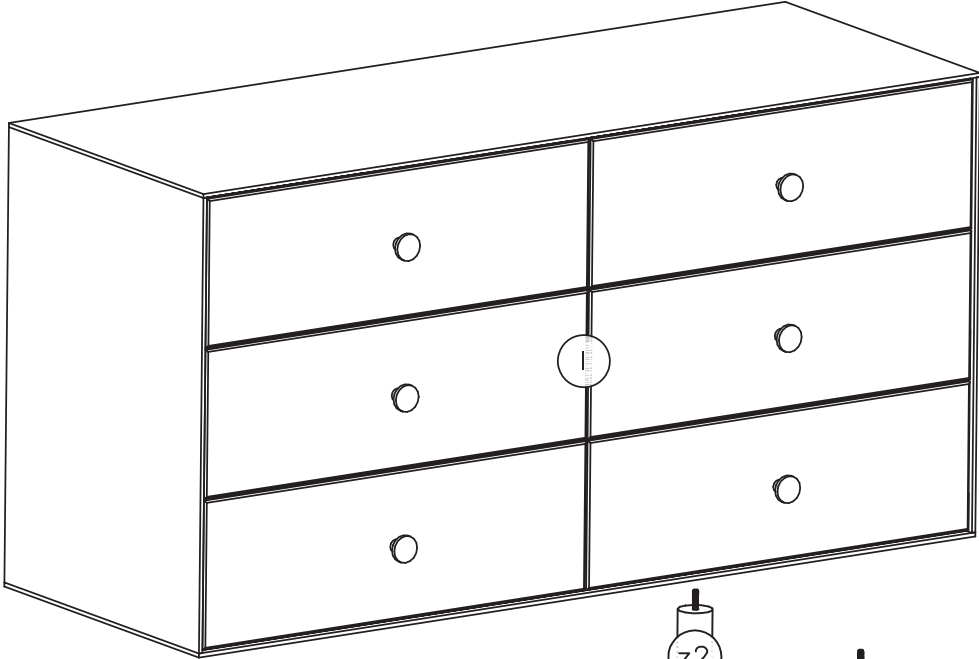
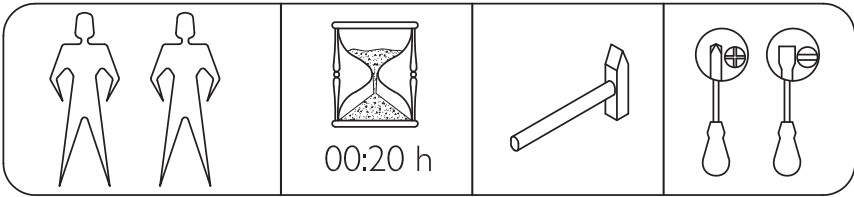
K	 Ø6x11	4 pcs
---	--	----------


5

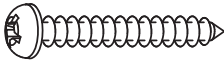


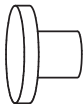
Go to page 14

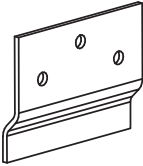
FAWN BASE





R	 M4 x35	6 pcs
---	---	----------

B	 Ø4,5x45	3 pcs
---	--	----------

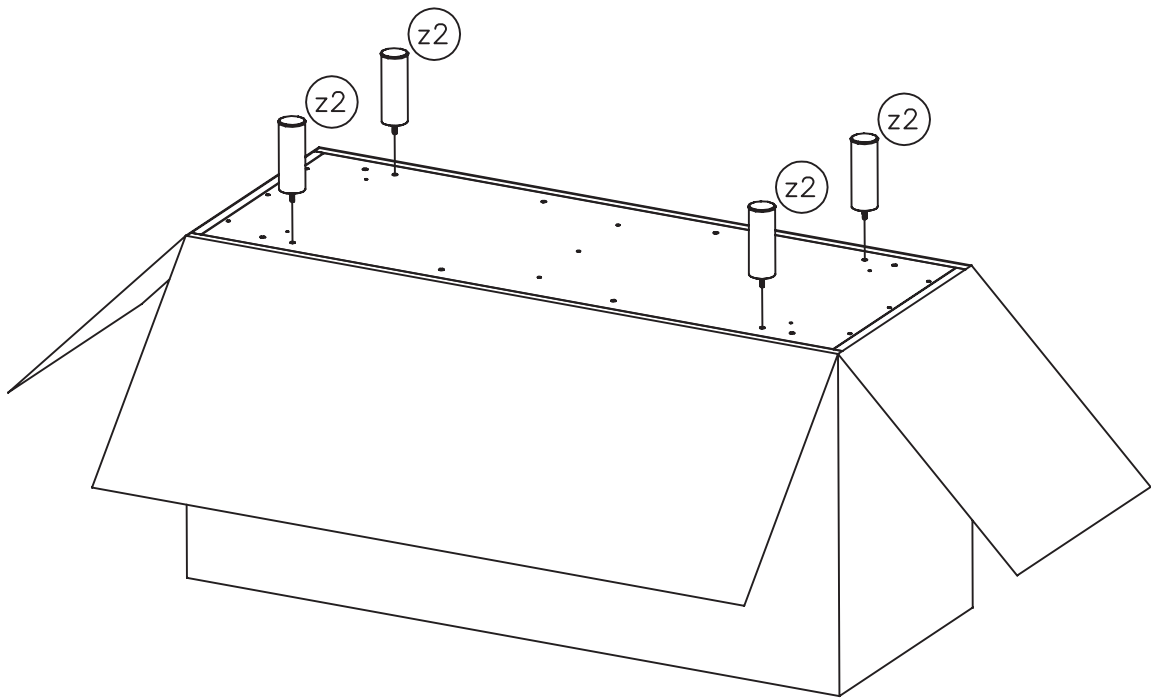
C	 Ø40	6 pcs
---	--	----------

H		2 pcs
---	---	----------

K	 Ø6x11	3 pcs
---	---	----------

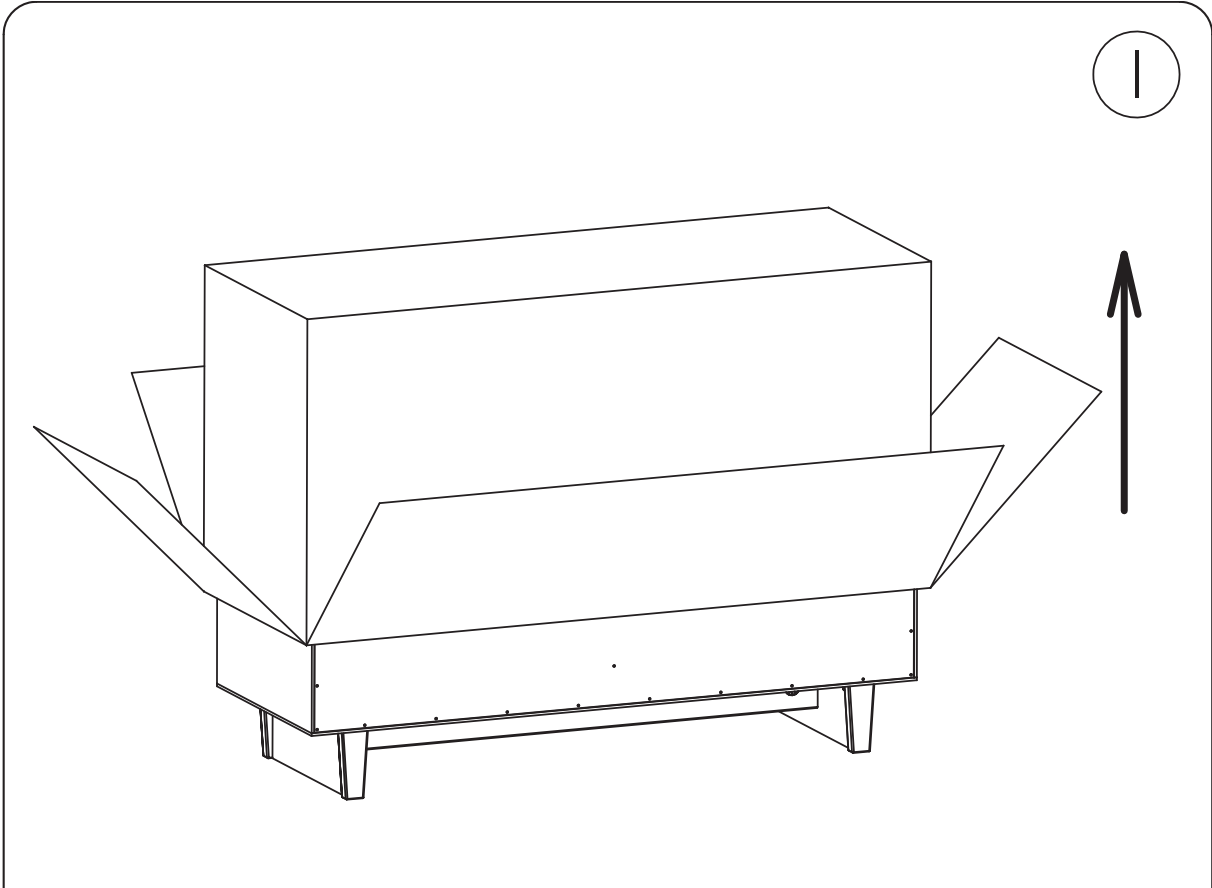
L	 Ø6x40	3 pcs
---	---	----------

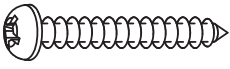
I

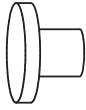


Go to page 14


FINAL ASSEMBLY

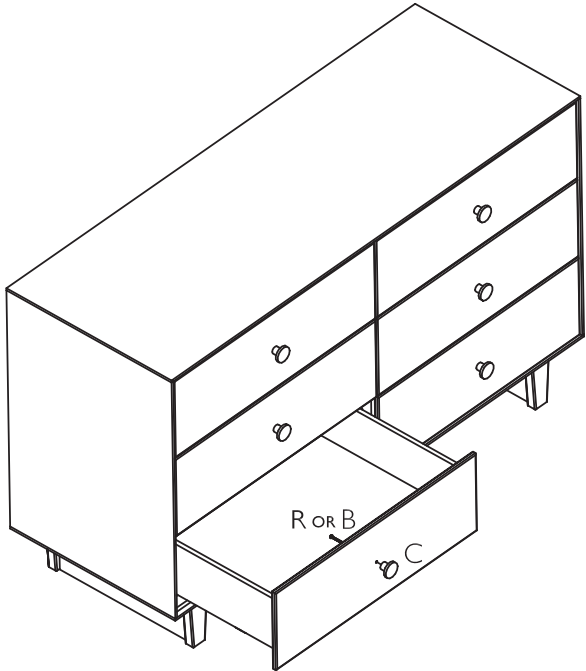



B		6 pcs
SPARROW RHEA FAWN BASE		
Ø4,5x45		

C		6 pcs
Ø40		

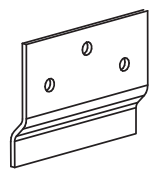
2

R		6 pcs
CLASSIC BASE		
M4 x35		

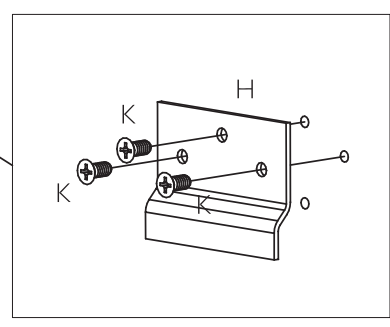
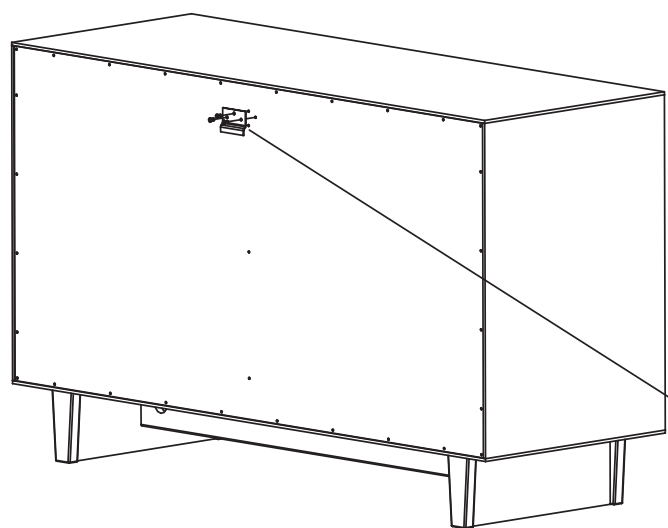


K		3 pcs
---	---	----------

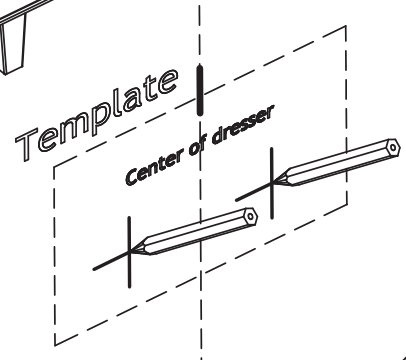
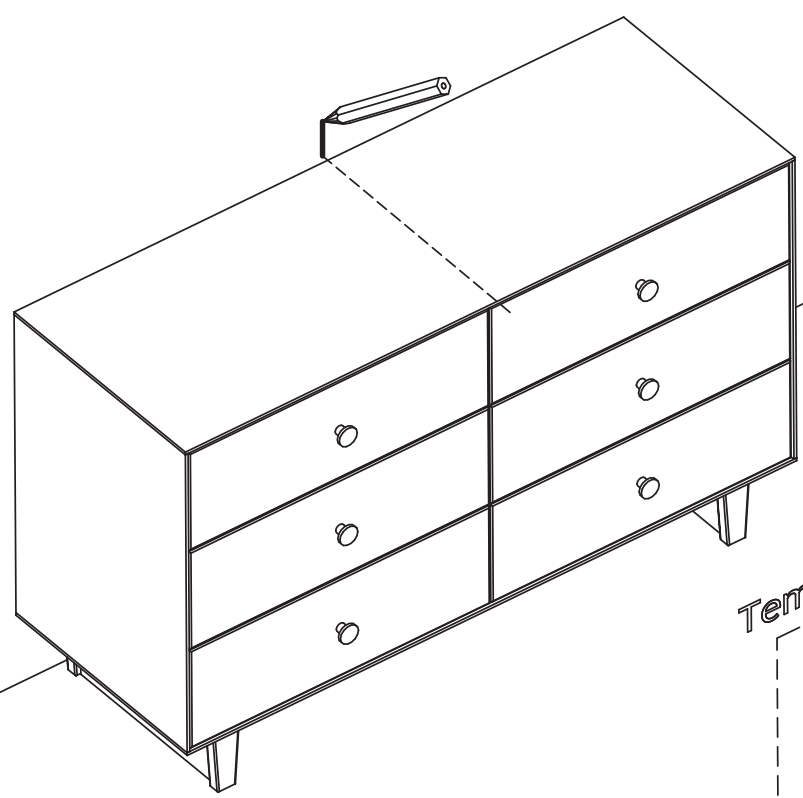
$\varnothing 6 \times 11$

H		1 pcs
---	--	----------

3



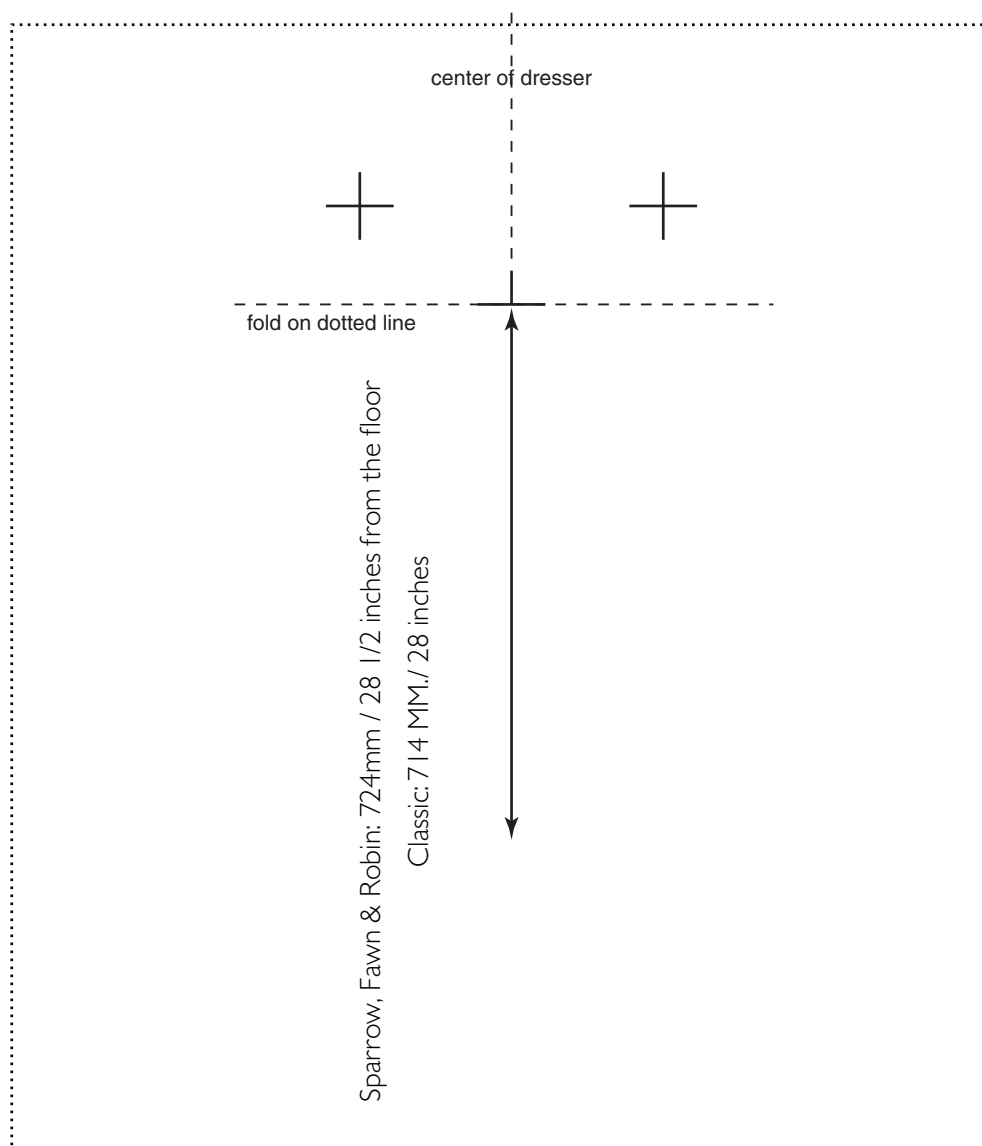
4



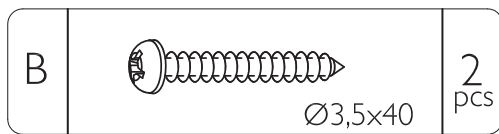
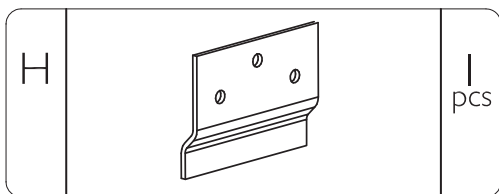
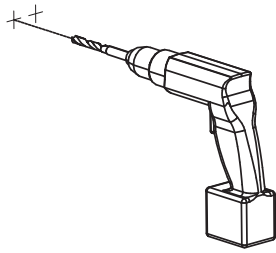
The most secure attachment of the bracket is when at least one of the screws can go into a stud in the wall. If the screws provided are not long enough to reach the stud, you will need to provide a longer screw. To attach to a stud, measure 711 mm (28 inches) from the floor and attached the bracket using the center hole.

If you can not locate a stud or the position would be too impractical, please use the anchors provided and follow the instruction below. The anchors are designed for sheetrock and brick/concrete walls.

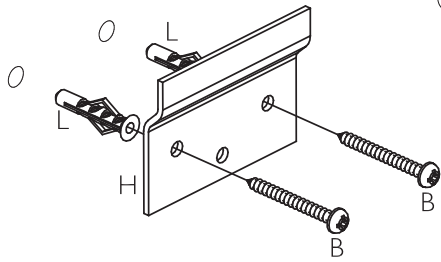
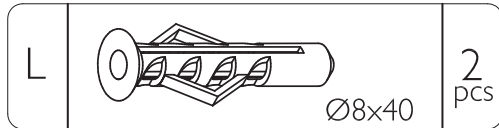
1. Determine where you want the dresser positioned.
2. Find the center of the dresser from side to side and mark the wall with a pencil. (The center is located at the center of the bracket you just attached to the dresser!)
3. For Sparrow, Fawn and Robin bases measure 724 mm (28.5 inches) from the floor at the center mark. For Classic base measure 714 mm (28 inches) from the floor at the center mark.
4. Position the template so the intersection of the dotted lines is at your last mark on the wall.
5. With a pencil, mark the wall at the two “+”.
6. Remove the template and drill two 6 mm (1/4 inch) holes at the two marks.



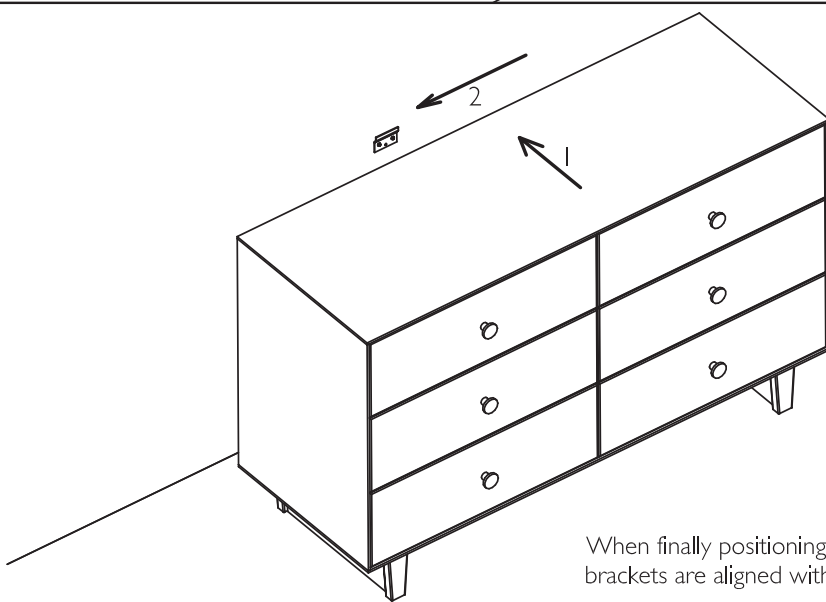
5



6



7



When finally positioning the dresser, be sure the brackets are aligned with each other!